

STEREO RECEIVER RX-930

SERVICE MANUAL

IMPORTANT NOTICE

This manual has been provided for the use of authorized Yamaha Retailers and their service personnel. It has been assumed that basic service procedures inherent to the industry, and more specifically Yamaha Products, are already known and understood by the users, and have therefore not been restated.

WARNING: Failure to follow appropriate service and safety procedures when servicing this product may result in personal injury, destruction of expensive components and failure of the product to perform as specified. For these reasons, we advise all Yamaha product owners that all service required should be performed by an authorized Yamaha Retailer or the appointed service representative.


IMPORTANT: The presentation or sale of this manual to any individual or firm does not constitute authorization, certification, recognition of any applicable technical capabilities, or establish a principle-agent relationship of any form.

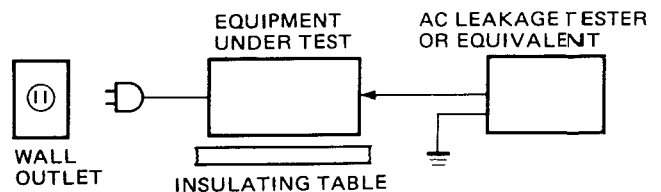
The data provided is believed to be accurate and applicable to the unit(s) indicated on the cover. The research, engineering, and service departments of Yamaha are continually striving to improve Yamaha products. Modifications are, therefore, inevitable and specifications are subject to change without notice or obligation to retrofit. Should any discrepancy appear to exist, please contact the distributor's Service Division.

WARNING: Static discharges can destroy expensive components. Discharge any static electricity your body may have accumulated by grounding yourself to the ground buss in the unit (heavy gauge black wires connect to this buss).

IMPORTANT: Turn the unit OFF during disassembly and parts replacement. Recheck all work before you apply power to the unit.

■ TO SERVICE PERSONNEL

- Critical Components Information.**
Components having special characteristics are marked  and must be replaced with parts having specifications equal to those originally installed.
- Leakage Current Measurement (For 120V Model Only).**
When service has been completed, it is imperative that you verify that all exposed conductive surfaces are properly insulated from supply circuits.
 - Meter impedance should be equivalent to 1500 ohm shunted by 0.15 μ F.
 - Leakage current must not exceed 0.5mA.
 - Be sure to test for leakage with the AC plug in both polarities.



- **POLARIZATION (U model only)**
This amplifier product is equipped with a polarized alternating-current line plug (a plug having one blade wider than the other). This plug will fit into the power outlet only one way. This is a safety feature.

■ CONTENTS

FRONT PANELS.....	1
REAR PANELS	1, 2
SPECIFICATIONS	3, 4
DIMENSIONS	4
INTERNAL VIEW	4
DISASSEMBLY PROCEDURES	5
ADJUSTMENTS	5~ 9
IC BLOCK	10~13

μ -COM DATA	14
DISPLAY PIN CONNECTION	15
BLOCK DIAGRAM	16, 17
WIRING	18, 19
PRINTED CIRCUIT BOARD	20~24
SCHEMATIC DIAGRAM	25~27
PARTS LIST	28~39
REMOTE CONTROL TRANSMITTER	40~48

100259

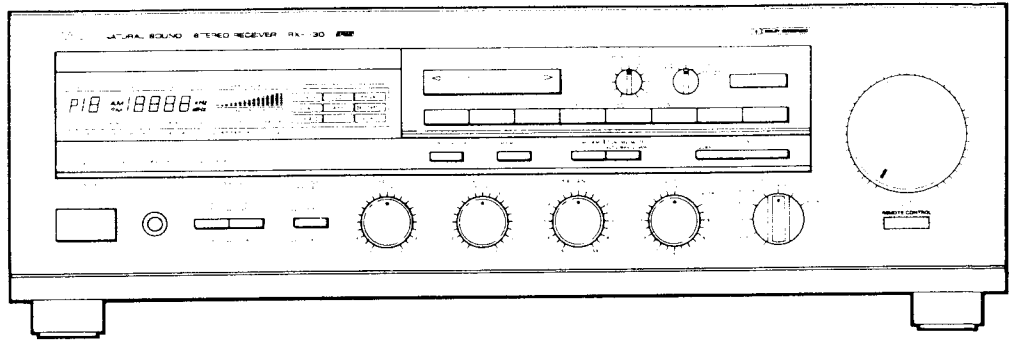
YAMAHA

YAMAHA CORPORATION HAMAMATSU, JAPAN
3.1K-144 © Printed in Japan '89.7

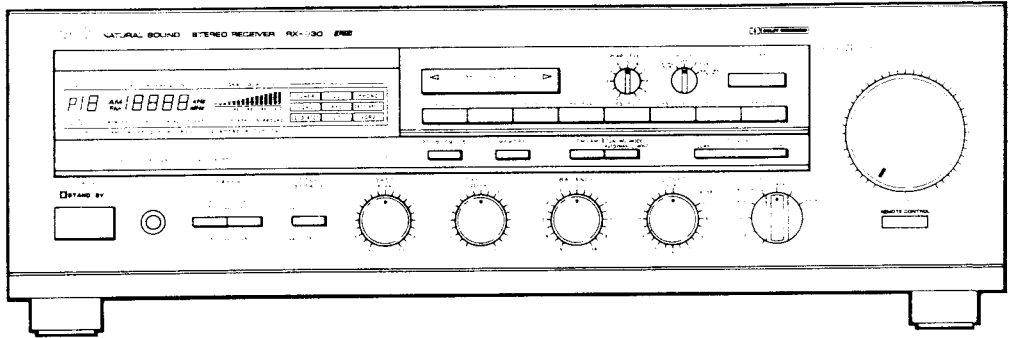
RX-930

FRONT PANEL

(U.C.A.B.P Models)

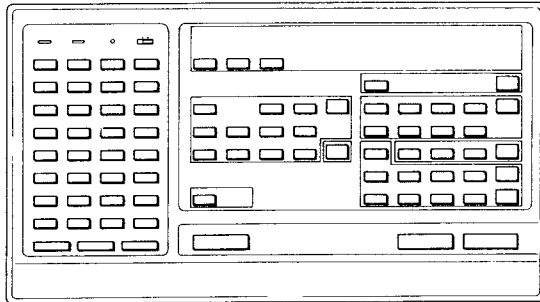


(G Model)

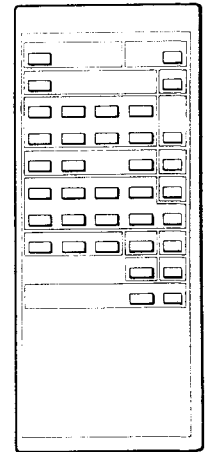


Remote Control Transmitter

(U.C.A.B.P Models)

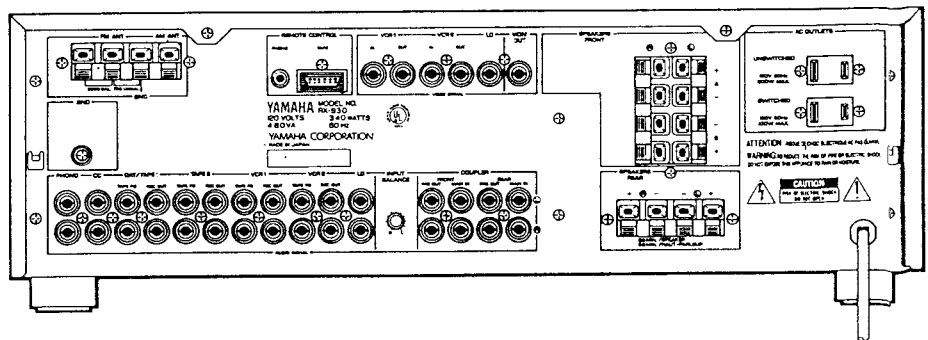


(G model)

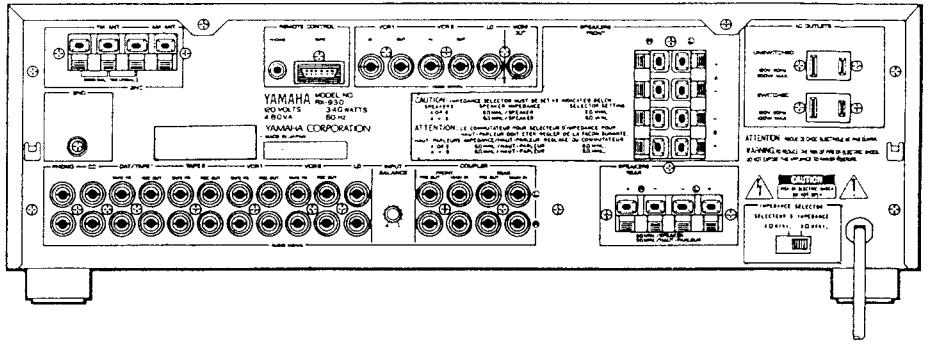


REAR PANELS

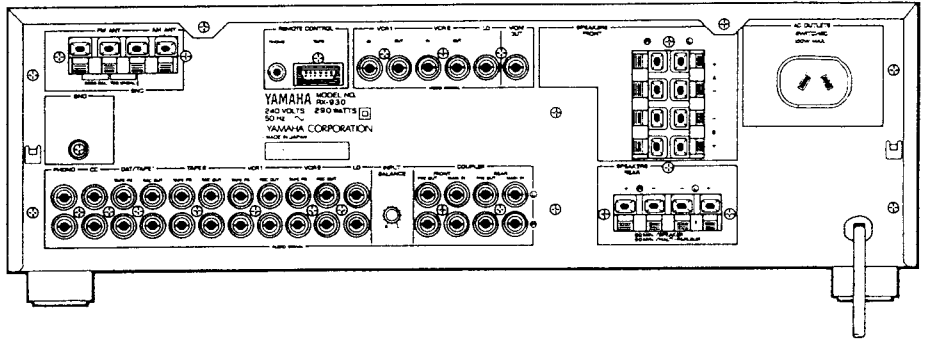
U Model



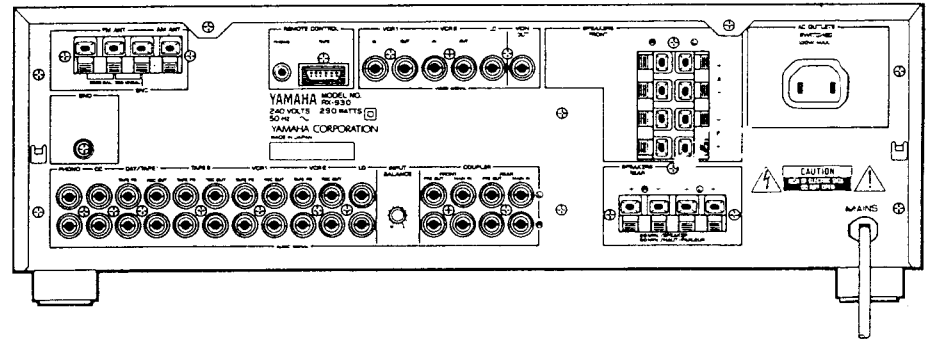
C Model



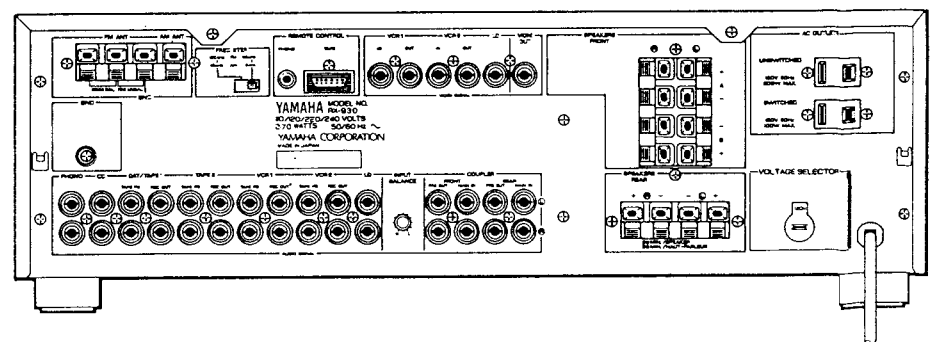
A Model



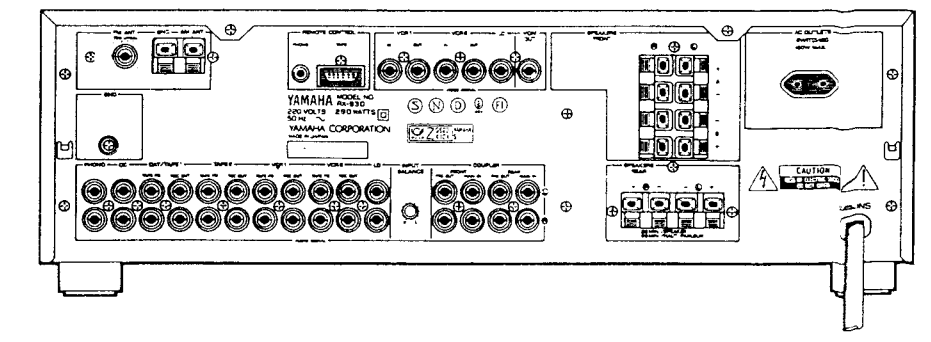
B Model



P Model



G Model



RX-930

■ SPECIFICATIONS

AUDIO SECTION

Minimum RMS Output Power per Channel (Front)	
8 ohms, 20 Hz to 20 kHz, 0.015% THD	85 W
6 ohms, 20 Hz to 20 kHz, 0.03% THD	
[U.S.A., Canada and General models]	100 W
Output Power per Channel [Rear (REAR IN)]	
8 ohms, 1 kHz, 0.08% THD	25 W
Dynamic Power per Channel (IHF)	
8/6/4/2 ohms	130/150/190/200 W
DIN Standard Output Power per Channel	
4 ohms, 1 kHz, 1% THD [Europe model only]	130 W
Dynamic Headroom	
[U.S.A., Canada and General models]	1.84 dB
IEC Power (1 kHz, 0.01% THD, 8 ohms)	
[Europe model only]	94 W
Power Band Width	
8 ohms, 42.5 W, 0.1% THD	10 Hz to 50 kHz
Damping Factor	
8 ohms, 1 kHz	60
Input Sensitivity/Impedance	
PHONO	2.5 mV/47 k-ohms
CD/TAPE/VCR/LD	150 mV/47 k-ohms
MAIN IN	1 V/82 k-ohms
REAR IN	150 mV/220 k-ohms
Input Sensitivity (New IHF)	
[U.S.A., Canada and General models]	
PHONO	0.27 mV
CD/TAPE/VCR/LD	16.3 mV
Maximum Input Signal Level (1 kHz, 0.01% THD)	
PHONO	110 mV
Output Level/Impedance	
REC OUT	150 mV/470 ohms
PRE OUT	1 V/2.2 k-ohms
Maximum Voltage Output	
20 Hz to 20 kHz, 0.01% THD	2.5 V
Headphone Jack Rated Output/Impedance	
8 ohms, 0.015 % THD	0.75 V/270 ohms
Frequency Response (20 Hz to 20 kHz)	
CD/TAPE/VCR/LD/MAIN IN	+0, -0.3 dB
RIAA Equalization Deviation	
PHONO	±0.3 dB
Total Harmonic Distortion (20 Hz to 20 kHz)	
PHONO to REC OUT (1.5 V)	0.003%
CD/TAPE/VCR/LD/MAIN IN to SP OUT	
(42.5 W/8 ohms)	0.009%
Intermodulation Distortion	
CD/TAPE/VCR/LD (Rated Output/8 ohms)	0.01%
Signal-to-Noise Ratio (IHF-A Network)	
PHONO (5 mV Input Shorted)	92 dB
CD/TAPE/VCR/LD (Shorted)	98 dB
MAIN IN (Shorted)	120 dB
CD DIRECT	100 dB
Residual Noise (IHF-A Network)	200 μ V
Channel Separation (1 kHz, Vol. -30 dB)	
PHONO (Input Shorted)	60 dB
CD/TAPE/VCR/LD (Input 5.1 k-ohms Terminated)	60 dB
Tone Control Characteristics	
BASS: Boost/cut	±10 dB (50 Hz)
Turnover Frequency	350 Hz
TREBLE: Boost/cut	±10 dB (20 kHz)
Turnover Frequency	3.5 kHz
Continuous Loudness Control	-40 dB (1 kHz)
(Level related equalization)	
Audio Muting	-20 dB

VIDEO SECTION

Input Sensitivity/Impedance	1 V/75 ohms
Output Level/Impedance	1 V/75 ohms
Maximum Input Level/Impedance	More than 1.5 V/75 ohms

FM SECTION

Tuning Range	
[U.S.A. and Canada and General models]	87.5 to 107.9 MHz
[Australia, Europe, U.K. and General models]	87.5 to 108.0 MHz
50 dB Quieting Sensitivity (IHF, 75 ohms)	
[Except Europe model]	
Mono	1.55 μ V (15.1 dBf)
Stereo	21 μ V (37.7 dBf)
Usable Sensitivity (75 ohms)	
(30 dB S/N Quieting, 1 kHz, 100% mod.)	
[Except Europe model]	0.8 μ V (9.3 dBf)
DIN, Mono (S/N 26 dB) [Europe model]	0.9 μ V
DIN, Stereo (S/N 46 dB) [Europe model]	24 μ V
Image Response Ratio	
[Except Europe model]	45 dB
[Europe model]	80 dB
IF Response Ratio	80 dB
Spurious Response Ratio	70 dB
AM Suppression Ratio	55 dB
Capture Ratio	1.5 dB
Alternate Channel Selectivity	
[Except Europe model]	55 dB
Selectivity (two signals, 40 kHz Dev.)	
[Europe model]	50 dB
Signal-to-Noise Ratio	
(IHF) Mono/Stereo	
[Except Europe model]	81/76 dB
(DIN-weighted, 40 kHz Dev.) Mono/Stereo	
[Europe model]	75/70 dB
Harmonic Distortion (1 kHz)	
Mono/Stereo [Except Europe model]	0.07%
Mono/Stereo (40 kHz Dev.) [Europe model]	0.07%
Stereo Separation (1 kHz)	
[Except Europe model]	52 dB
[Europe model (40 kHz Dev.)]	52 dB
Frequency Response	
30 Hz to 13 kHz	0 ±0.5 dB

AM SECTION

Tuning Range	
[U.S.A., Canada and General models]	530 to 1,610 kHz
[Australia, Europe, U.K. and General models]	531 to 1,611 kHz
Usable Sensitivity	100 μ V/m
Selectivity	32 dB
Signal-to-Noise Ratio	50 dB
Image Response Ratio	40 dB
Spurious Response Ratio	50 dB
Harmonic Distortion (400 Hz)	0.3%

AUDIO SECTION

Output Level/Impedance	
FM (100% mod., 1 kHz)	
[Except Europe model]	500 mV/3.8 k-ohms
[Europe model (40 kHz Dev.)]	400 mV/3.8 k-ohms
AM (30% mod., 400 Hz)	
[Except Europe model]	150 mV/3.8 k-ohms
[Europe model (40 kHz Dev.)]	150 mV/3.8 k-ohms

GENERAL

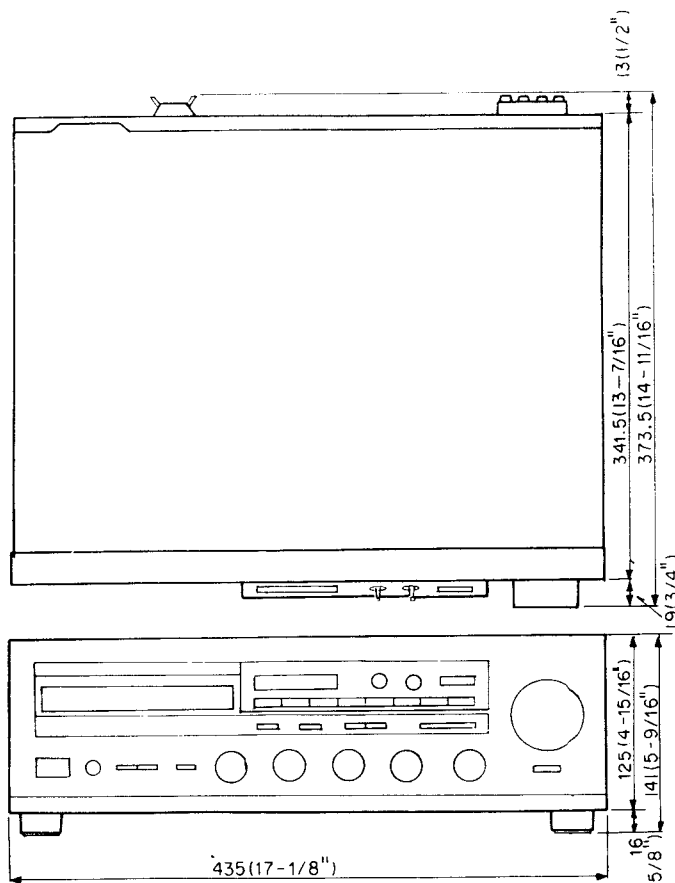
Power Supply	
[U.S.A. and Canada models]	AC 120 V, 60 Hz
[Australia and U.K. models]	AC 240 V, 50 Hz
[Europe model]	AC 220 V, 50 Hz
[General model]	AC 110-120/220-240 V, 60/50 Hz
Power Consumption	
[U.S.A. model]	340 W
[Canada model]	450 W/550 VA
[General model]	270 W
[Australia, Europe and U.K. models]	290 W

■ DIMENSIONS

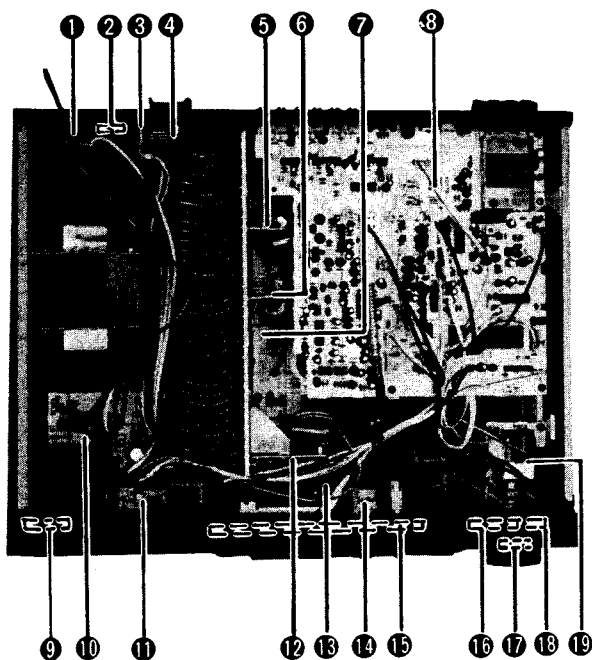
AC Outlets	
[U.S.A., Canada and General models]	
Switched	100 W max.
Unswitched	200 W max.
[Australia, Europe and U.K. models]	
Switched	100 W max.
Dimensions (W x H x D)	435 x 141 x 373.5 mm (17-1/8" x 5-9/16" x 14-11/16")
Weight	10.6 kg (23 lbs. 5 oz.)
Accessories	AM loop antenna Indoor FM antenna Remote control cable (mini-plug) Remote control cable (6-pin) Remote control transmitter Batteries

Specifications subject to change without notice.

U ...U.S.A model B ...British model
 C ...Canadian model P ...PX model
 A ...Australian model G ...European model



■ INTERNAL VIEW



- ① Sub Circuit Board (3): U,C,P models
Sub Circuit Board (5): A,B,G Models
- ② Sub Circuit Board (4): P model only
- ③ Sub Circuit Board (2)
- ④ Main Circuit Board (5)
- ⑤ Main Circuit Board (4) or (3)
- ⑥ Main Circuit Board (3) or (4)
- ⑦ Main Circuit Board (1)
- ⑧ Tuner Circuit Board (1)
- ⑨ Sub Circuit Board (6) : G Model only
- ⑩ Sub Circuit Board (1)
- ⑪ LCD Indicator Circuit Board
- ⑫ Main Circuit Board (2)
- ⑬ Tuner Circuit Board (2)
- ⑭ Main Circuit Board (6)
- ⑮ Tuner Circuit Board (3)
- ⑯ Tuner Circuit Board (7): Top side
- ⑰ Tuner Circuit Board (6)
- ⑱ Tuner Circuit Board (5): Bottom side
- ⑲ Tuner Circuit Board (4)

RX-930

■ DISASSEMBLY PROCEDURES (Remove parts in disassembly order as numbered)

1. Removal of Top Cover

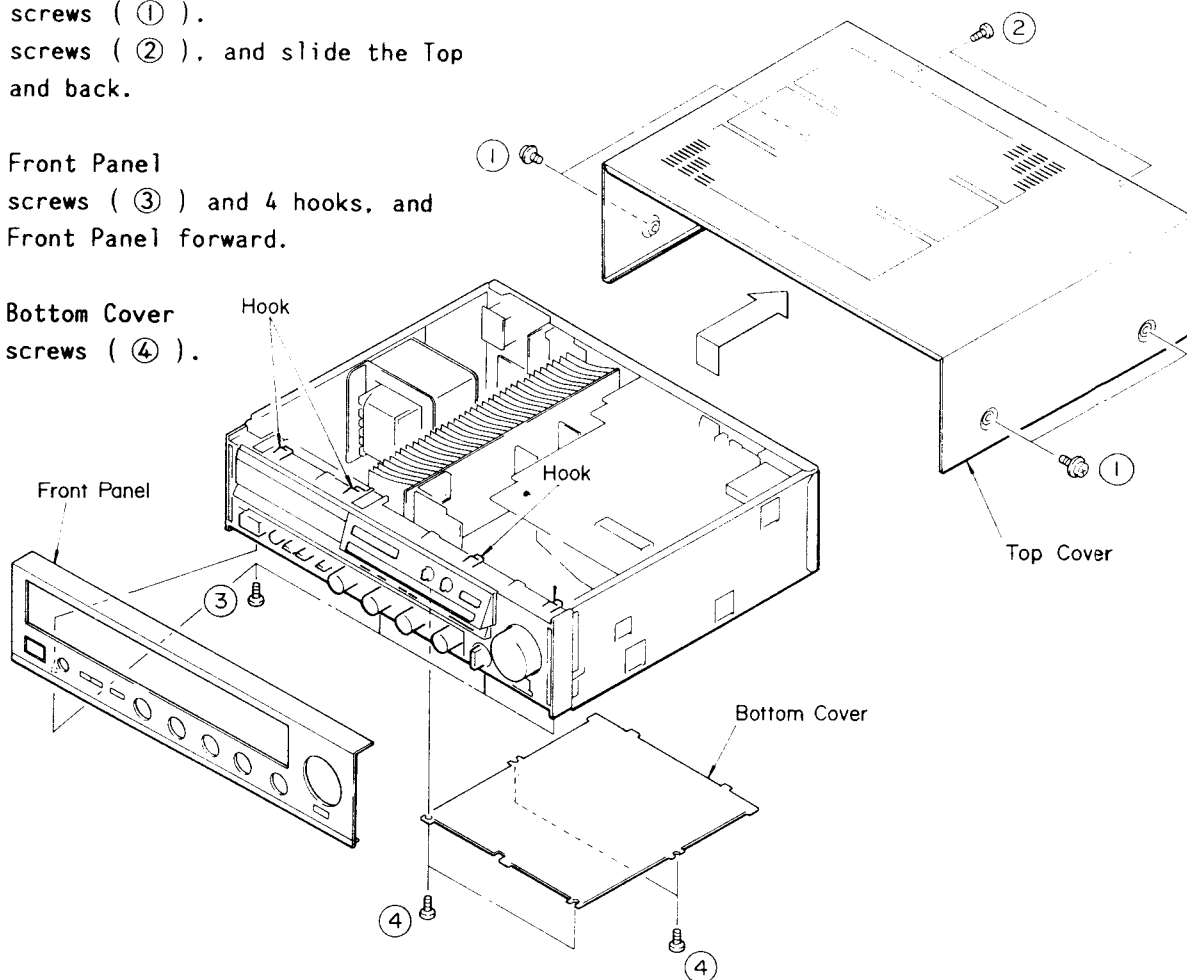
- a. Remove 4 screws (①).
- b. Remove 2 screws (②), and slide the Top Cover up and back.

2. Removal of Front Panel

- a. Remove 4 screws (③) and 4 hooks, and pull the Front Panel forward.

3. Removal of Bottom Cover

- a. Remove 4 screws (④).



■ ADJUSTMENTS

1. Before adjustment

- 1) After the power switch is pushed on, wait for 5 minutes before measuring, to be sure of the most stable operation.
- 2) Adjust the OSC coil and IFT with a nonferrous screw driver.
- 3) Set the switch to the following position.
TUNING MODE AUTO
- 4) Proceed with the AM section adjustments after having finished the FM section adjustment.
- 5) $0\text{dB}\mu = 1\mu\text{V}$ Ex.: $60\text{dB}\mu = 1\text{mV}$

2. Measuring instruments abbreviation

FM SG	: FM signal generator
SSG	: Stereo signal generator
AM SG	: AM signal generator
DIST.M	: Distortion meter
FC	: Frequency counter
A.C.V.M	: AC voltmeter
D.C.V.M	: DC voltmeter
OSC	: Oscilloscope

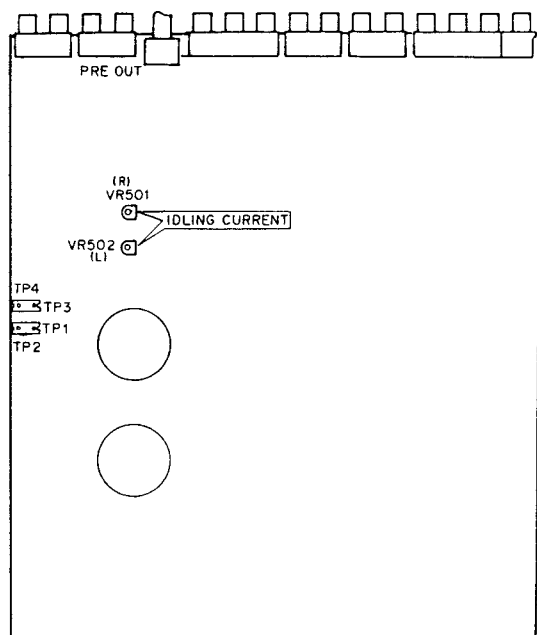
<POWER SUPPLY CHECK>

Check that the following voltages are obtained respectively across each test point and ground on main circuit.

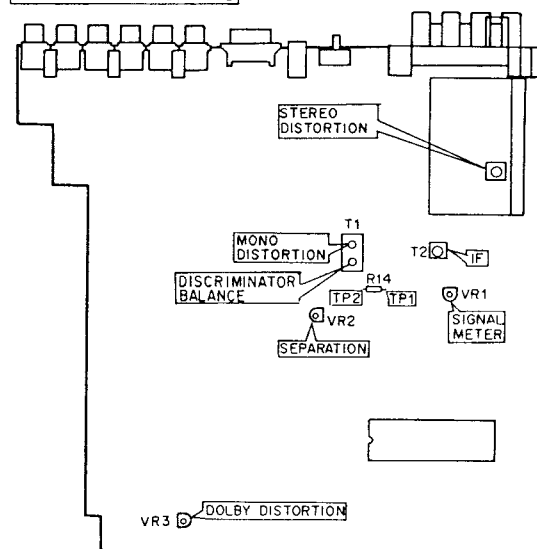
Test Point	Rating or standard	Remark								
Q552 COLLECTER	+54V ± 3V DC	Make sure that AC line voltage comes within <table border="1" style="margin-left: 20px;"> <thead> <tr> <th>Models</th> <th>AC line voltage</th> </tr> </thead> <tbody> <tr> <td>U.C</td> <td>120V ± 10%</td> </tr> <tr> <td>G</td> <td>220V ± 10%</td> </tr> <tr> <td>A.B</td> <td>240V ± 10%</td> </tr> </tbody> </table>	Models	AC line voltage	U.C	120V ± 10%	G	220V ± 10%	A.B	240V ± 10%
Models	AC line voltage									
U.C	120V ± 10%									
G	220V ± 10%									
A.B	240V ± 10%									
Q553 COLLECTER	-54V ± 3V DC									
IC517 11pin	+30V ± 2V DC									
IC517 9pin	-30V ± 2V DC									
IC511 3pin	+12V ± 1V DC									
IC512 3pin	-12V ± 1V DC									
IC513 OUT	+ 9V ± 1V DC									
IC514 OUT	- 9V ± 1V DC									
IC515 OUT	+12V ± 1V DC									
IC516 OUT	+ 5V ± 1V DC									

● TEST POINTS

MAIN CIRCUIT BOARD



TUNER CIRCUIT BOARD



< AUDIO SECTION >

Step	Item to be adjusted	Connection terminal	Instrument required	Adjustment locations	Adjustment method	Rating or standard	Remarks
1	IDLING CURRENT	TP1-TP2 (L)	DCVM	VR502	After the POWER switch is turned on, wait about 5 minutes in nonloaded condition.	9mV ~ 11mV DC	no signal
		TP3-TP4 (R)		VR501			
2	DOLBY DISTORTION	REAR CH. PRE OUTPUT	DIST-M	VR3	Make distortion minimum.	1.5% or less	1kHz 1V

<FM TUNER SECTION>

- Use 19kHz L.P.F. to measure the output.
- 100% modulation means that the Frequency Deviation is 75kHz. (P,U,C,A,B)
- For the G model, Frequency Deviation is 40kHz.
- For the G model install the Matching Transformer and connect FM SG.

Shorting IC4(49pin) and GND makes it possible to preset as given in the under-mentioned table, but if the shortening is conducted, the memory that user preset puts out. Therefore, use the method only when the preset has to be done by all means.

	SW I ※ (P model only)		P1/P9	P2/P10	P3/P11	P4/P12	P5/P13	P6/P14	P7/P15	P8/P16
U.C	AM 10kHz	FM 200kHz	AM 630kHz	AM 1080kHz	AM 1440kHz	FM 87.5MHz	FM 95.1MHz	FM 98.1MHz	FM 101.5MHz	FM 107.9MHz
A.B.G	AM 9kHz	FM 50kHz	AM 630kHz	AM 1080kHz	AM 1440kHz	FM 87.5MHz	FM 95.1MHz	FM 98.1MHz	FM 101.5MHz	FM 108.0MHz

Note :※ Marked.

U,C models change by step of AM10kHz, FM200kHz.

A,G,B models change by step of AM9kHz, FM50kHz.

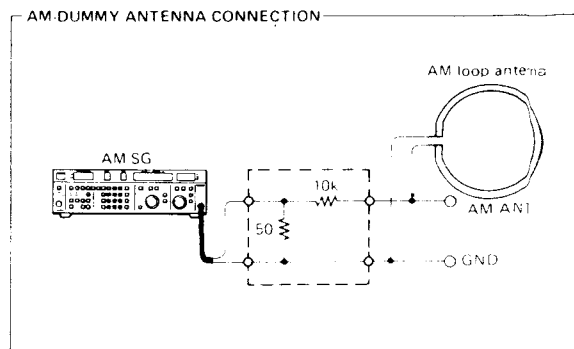
※FM ANT TERMINAL 300 Ω=Except G model, 75 Ω=G model Only

Step	Item to be adjusted	Connection terminal	Instrument required	Adjustment locations	Adjustment method	Rating or standard	Remarks
1	Discriminator balance	FM ANT ※ 300Ω/ 75Ω	FM SG 98.1MHz 70dB μ MONO 100Hz 100% MOD	T1 (Discriminator balance)	Receive 98.1MHz and adjust so that digital voltmeter reading is 0 ±50mV.	0 ±50mV DCVM	Tuned point.
		TP1 and TP2	DCVM				
2	Monaural distortion	FM ANT ※ 300Ω/ 75Ω	FM SG 98.1MHz 70dB μ MONO 100Hz 100% MOD	T1 (Monaural distortion)	Reduce distortion to minimum		
		REC OUT	DIST-M LPF, OSC				
3	Stereo distortion	FM ANT ※ 300Ω/ 75Ω	FM SG, SSG 98.1MHz 70dB μ STEREO L.R 1kHz 100% MOD	FRONT-END IFT	Same as step 2.	-46dB or less(1kHz) :Except G -40dB or less(1kHz) :G model	Confirm that STEREO indicator light up.
		REC OUT	DIST-M LPF, OSC				
4	Confirmation of Monaural distortion	FM ANT ※ 300Ω/ 75Ω	FM SG 98.1MHz 70dB μ MONO 1kHz 100% MOD		Confirm that the monaural distortion is satisfied the specifications.	-56dB or less(1kHz) :Except G -46dB or less(1kHz) :G model	If not, return to step 2 and re-adjust.
		REC OUT	DIST-M LPF, OSC				

Step	Item to be adjusted	Connection terminal	Instrument required	Adjustment locations	Adjustment method	Rating or standard	Remarks
5	Sensitivity	FM ANT ※ 300Ω / 75Ω	FM SG 98.1MHz MONO 1kHz 100% MOD		Lower the output level of FM SG from 15dBμ so that ACVM reading (S/N) is 30dB. (Ratio between the modulation (S) and non-modulation (N) is 30dB). And confirm that the SG level satisfied the specifications.	10dBμ or less :Except G 6dBμ or less:G model	
		REC OUT	ACVM OSC				
6	Separation adjustment	FM ANT ※ 300Ω / 75Ω	FM SG SSG 98.1MHz 70dB μ STEREO L,R 1kHz 100% MOD	VR2 (SEPARATION)	Set SSG output to L or R and make signal leakage for opposite channel minimum.	More than 36dB	
		REC OUT	ACVM L.P.F				
7	Confirmation of discriminator balance	FM ANT ※ 300Ω / 75Ω TP1 and TP2	FM SG 98.1MHz 70dB μ MONO 1kHz 100% MOD DCVM		Receive 98.1MHz and adjust so that digital voltmeter reading is 0 ± 50mV.	0 ± 50mV DCVM	Tuned point
8	Signal meter	FM ANT ※ 300Ω / 75Ω	FM SG 98.1MHz 45dB μ MONO 1kHz 30% MOD	VR1	Adjust that all signal quality indicators light up.		Confirm that all signal quality indicators go off at detuned point.
		TP3 and GND	DCVM				
9	Confirmation of auto search reception	FM ANT ※ 300Ω / 75Ω	FM SG 98.1MHz 26dB μ / 75Ω 32dB μ / 300Ω MONO 1kHz 30% MOD		Check that auto search reception is possible with UP/DOWN key.		Confirm that muting is performed at auto reception.

<AM TUNER SECTION>

- Connect the AM loop antenna to the AM ANT terminal.
- Connect the AM dummy antenna for adjustment to AM SG
- Check that the AM SG precision is with in ±0.1kHz



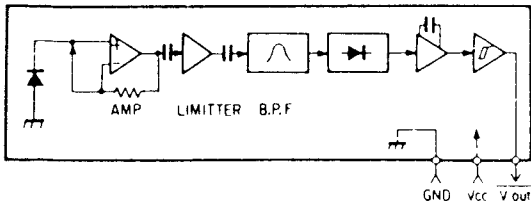
Step	Item to be adjusted	Connection terminal	Instrument required	Adjustment locations	Adjustment method	Rating or standard
1	IFT adjustment	AM ANT	AM dummy antenna AM SG 1080kHz 50dB μ 400Hz, 30% MOD	T2	Adjust so that the detector output is maximum.	
		REC OUT	ACVM OSC			
2	Confirmation of sensitivity	AM ANT	AM dummy antenna AM SG 630kHz 1080kHz 1440kHz 400Hz, 30% MOD		Lower the output level of AM SG from 80dB μ so that ACVM reading (S/N) is 20dB (Ratio between the modulation (S) and non-moduration (N) is 20dB). And confirm that the SG level is satisfied the specifications.	60dB μ or less
		REC OUT	ACVM			
3	Signal meter full scale	AM ANT	AM dummy antenna AM SG 1080kHz 100dB μ 400Hz, 30% MOD		All signal quality indicators light up.	When not adjusted none light.
4	Confirmation of auto-search	AM ANT	AM dummy antenna Am SG 1080kHz 65dB μ 400Hz, 30% MOD		Check that auto search reception is possible with the UP/DOWN key.	Sound is muted during search operation.

(DIGITAL CONTROL SECTION)

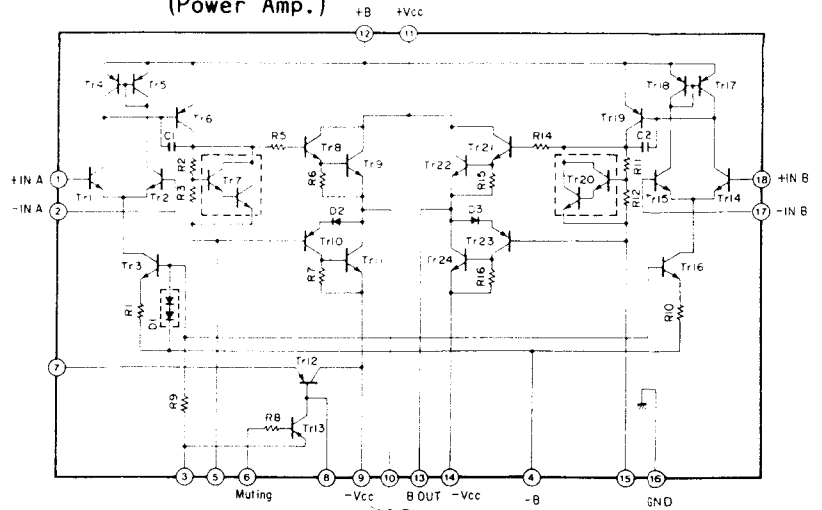
Step	Confirmation item	Connection terminal	Instrument required	Operation key	Confirmation method
1	Preset memory	※ 300 Ω / 75 Ω FM ANT	FM SG.SSG 98.1MHz 70dB μ STEREO.L.R 1kHz, 100% MOD	<ul style="list-style-type: none"> ·FM.AM ·TUNING MODE (AUTO) ·TUNING (UP or DOWN) ·MEMORY ·PRESET STATION ·PI-P8/P9-PI6 	<ol style="list-style-type: none"> 1.Receive FM 98.1MHz by means of auto search. 2.Press MEMORY key→MEMORY indicator flashes about 5 seconds. 3.Press PI→MEMORY indicator goes off and PI is displayed. 4.Receive AM 1080kHz. 5.Press TUNING MODE key →AUTO indicator goes off. 6.Press PI-8/P9-16 key→P9-16 indicator flashes. 7.Press MEMORY key→MEMORY indicator flashes about 5 seconds. 8.Press P15 →MEMORY indicator goes off and P15 is displayed. 9.Press PI and P15 and check that content is read out properly.
		AM ANT	AM SG AM dummy antenna 1080kHz \pm 0.1kHz 65dB μ 400Hz, 30% MOD		
2	Tuning mode	Same as step 1	Same as step 1	<ul style="list-style-type: none"> ·FM.AM ·TUNING MODE (MAN'L) ·TUNING (UP or DOWN) 	<ol style="list-style-type: none"> 1.Tune to FM 98.1MHz. 2.Press TUNING MODE key →AUTO,STEREO indicators go off. 3.Tune to AM 1080kHz →AUTO indicator goes off. 4.Check that Manual Search reception is possible with the UP/DOWN key.
3	Last station memory			<ul style="list-style-type: none"> ·PRESET STATION PI ·POWER 	<ol style="list-style-type: none"> 1.Press PI. →FM 98.1MHz is displayed. 2.Turn POWER key off. 3.After 5 seconds, turn POWER key on. 4.Check that PI content →PI and FM 98.1MHz is displayed.

■ IC BLOCK

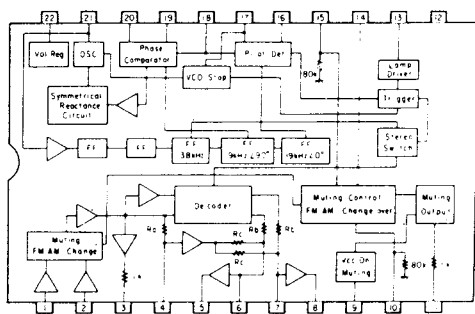
U2 : GPIU501X
(Remote Control Receptor)



IC517 : STK4141V
(Power Amp.)

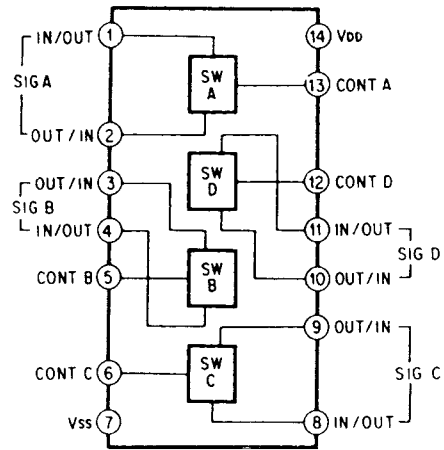


IC2 : LA3401
(MPX)

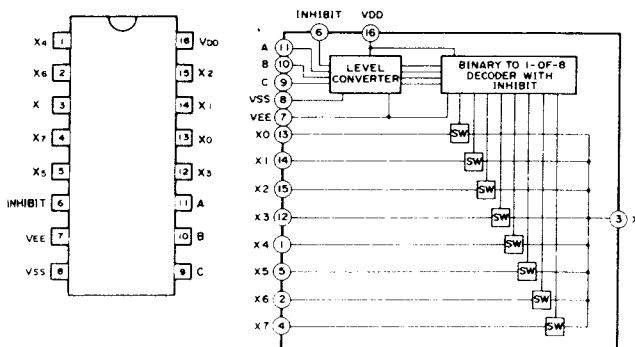


Pin No.	Function
1	Input (AM)
2	Input (FM)
3	Composite Amp Output
4	Separation Adj
5	Post Amp Output
6	Post Amp Input
7	Post Amp Input
8	Post Amp Output
9	Muting ON (Vcc)
10	AM/FM Select
11	Muting Output
12	GND
13	Stereo Indicator
14	Mute Select
15	Muting
16	Pilot Detector Filter
17	Pilot Detector Filter, VCO Stop
18	PLL Input
19	Loop Filter
20	Loop Filter
21	OSC
22	Vcc

IC501,502 : LC4066B
(Analog Switch)



IC503~507 : TC4051BP
(Signal 8-Channel Multiplexer/Demultiplexer)



Truth Table

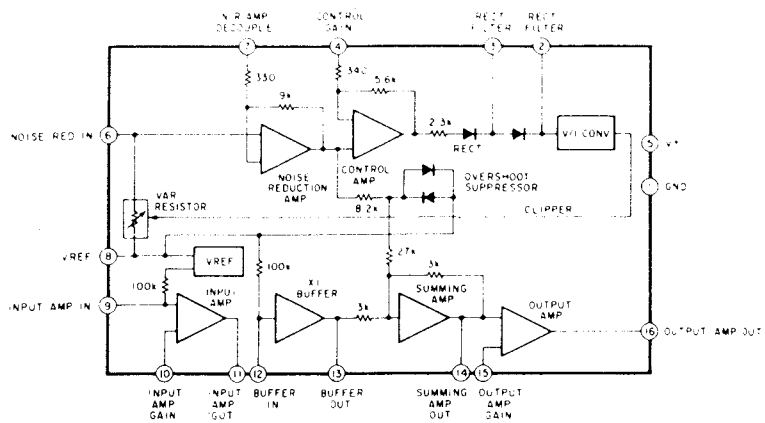
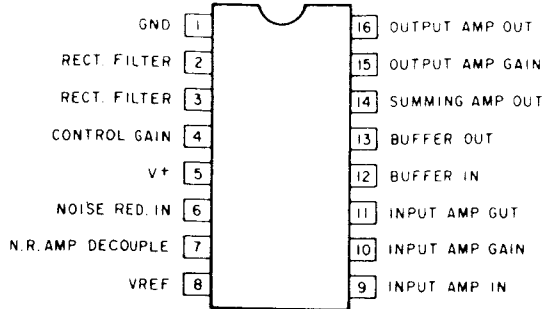
INHIBIT	CONTROL INPUT			"ON" CHANNEL
	C	B	A	
L	L	L	L	X ₀
L	L	L	H	X ₁
L	L	H	L	X ₂
L	L	H	H	X ₃
L	H	L	L	X ₄
L	H	L	H	X ₅
L	H	H	L	X ₆
L	H	H	H	X ₇
H	X	X	X	NONE

H: HIGH LEVEL L: LOW LEVEL X: H or L

RX-930

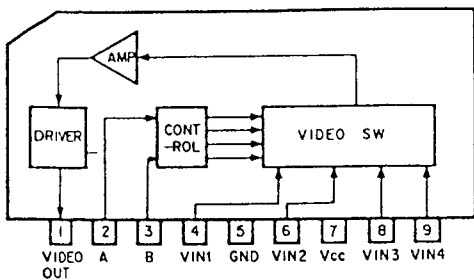
IC107 : LA2730

(Dolby Encoder/Decoder)



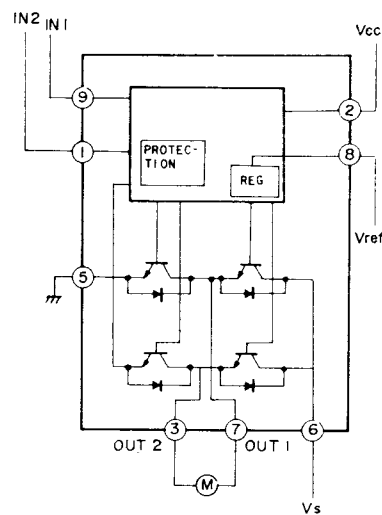
IC201~203 : LA7952

(Video Switch)



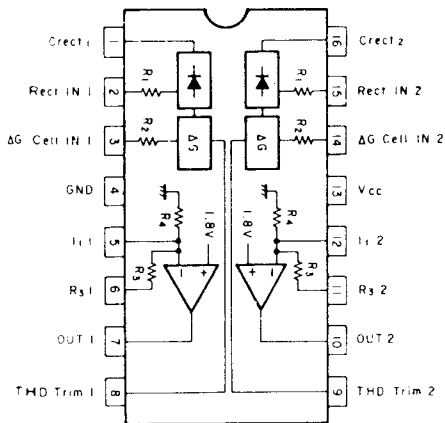
IC5 : TA7291S

(Full Bridge Motor Driver)



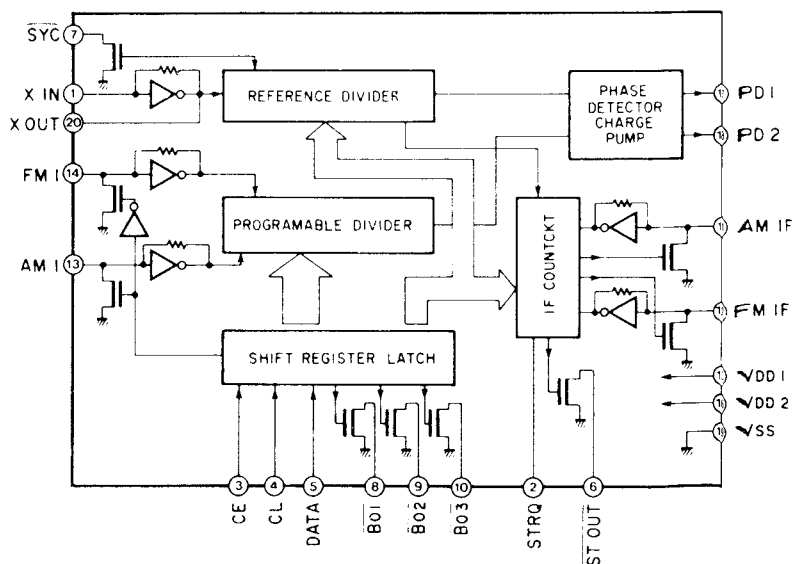
IC106 : μ PC1571

(Compressor)

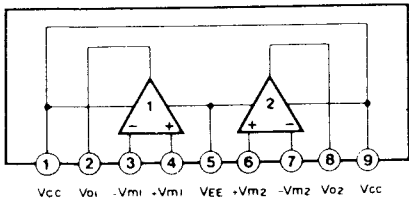


IC3 : LM7000N

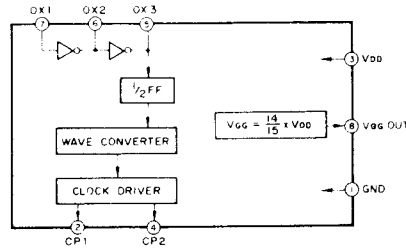
(PLL)



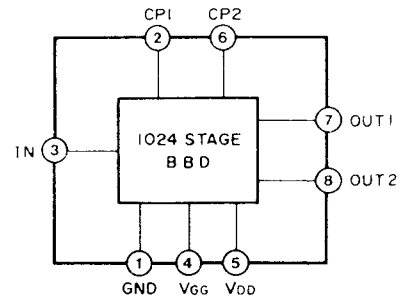
IC508 ~510.518 : μ PC4570HA
(Dual Ope-amp.)



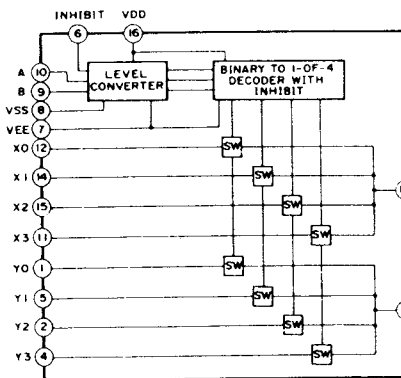
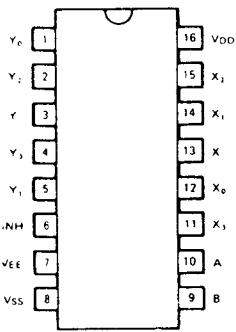
IC105 : MN3101
(Delay Time Controller)



IC104 : MN3007Y
(Delay)



IC204 : μ PD4052BC
(Differential 4-Channel Multiplexer/Demultiplexer)

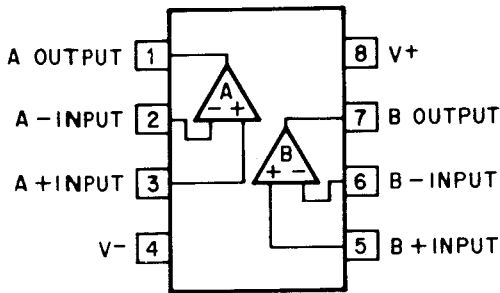


Truth Table

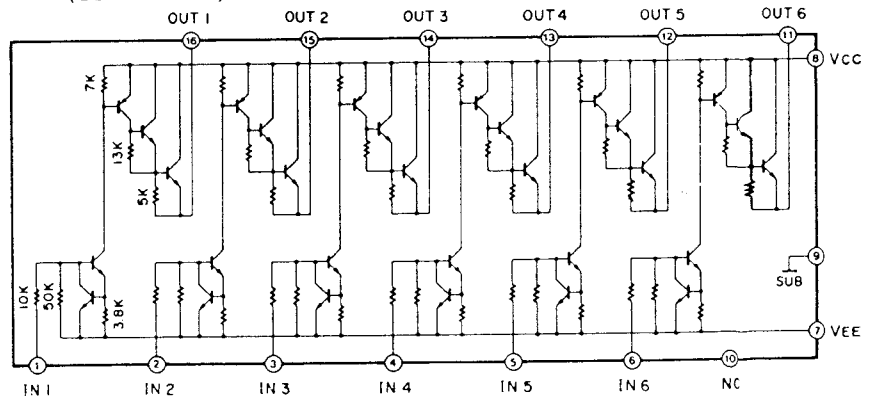
CONTROL INPUT				"ON"
INHIBIT	C	B	A	
L	L	L	L	Y_0, X_0
L	L	L	H	Y_1, X_1
L	L	H	L	Y_2, X_2
L	L	H	H	Y_3, X_3
L	H	L	L	---
L	H	L	H	---
L	H	H	L	---
L	H	H	H	---
H	X	X	X	NONE

H: HIGH LEVEL L: LOW LEVEL X: H or L

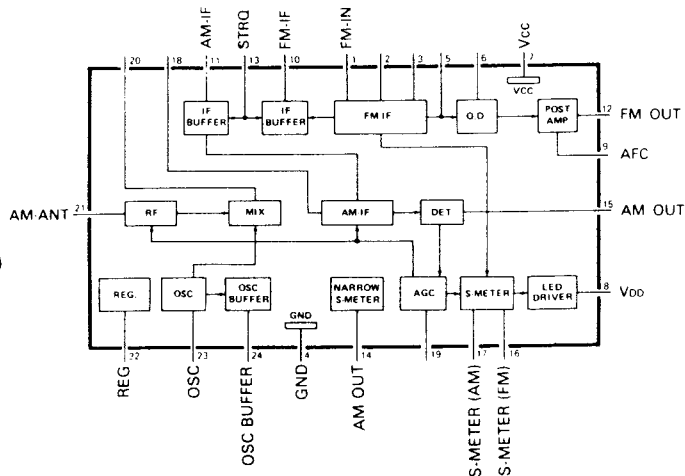
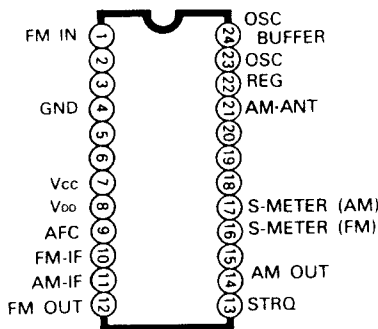
IC100 : μ PC4570C
(Dual Low-Noise Ope-amp.)



IC6 :LB1294
(LED Driver)

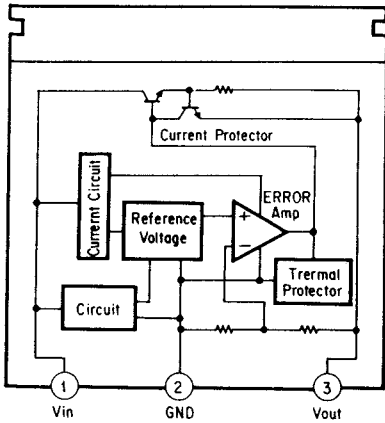


IC1 : LA1266
(AM/FM IF)

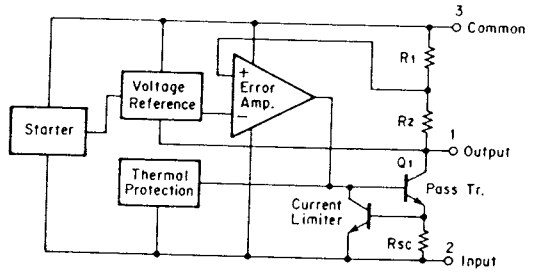


RX-930

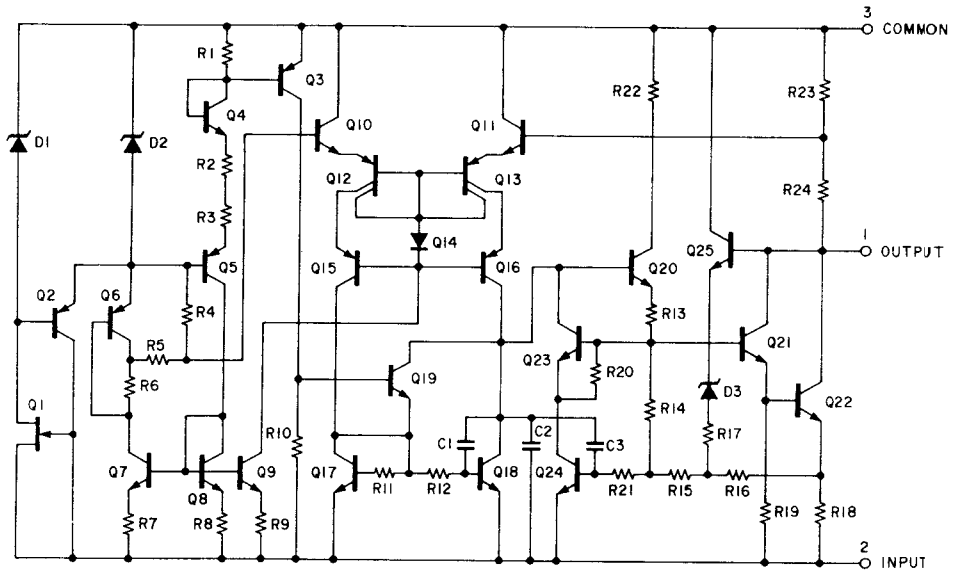
IC513 : AN78M09F
 IC511,515 : AN7812
 (Regulator)



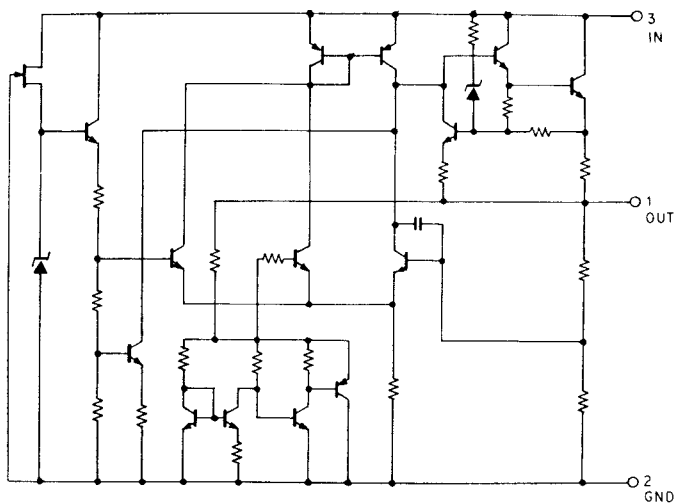
IC512 : AN7912
 (Regulator)



IC514 : AN79M09F
 (Regulator)

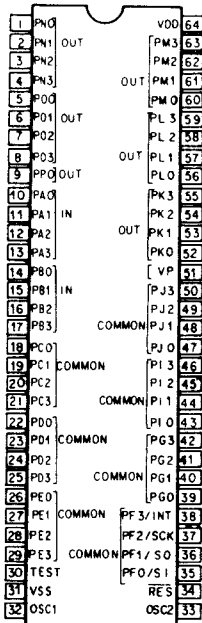


IC516 : NJM78L05
 (Regulator)



μ-COM DATA

IC5 : LC6554H-4084
(4-bit μ-COM)



PIN	I/O	FUNCTION	OPTION	PIN	I/O	FUNCTION	OPTION
1	PN 0	0 TP 0	PD	64	V _{DD}	- V _{DD}	
2	PN 1	0 TP 1	PD	63	PM 3	0 PLRS	PD
3	PN 2	0 TP 2	PD	62	PM 2	0 OUT 3	PD
4	PN 3	0 TP 3	PD	61	PM 1	0 OUT 2	PD
5	PO 0	0 D1	OD	60	PM 0	0 OUT 1	PD
6	PO 1	0 D2	OD	59	PL 3	0 CDV	OD
7	PO 2	0 D3	OD	58	PL 2	0 VCR 2	OD
8	PO 3	0 D4	OD	57	PL 1	0 VCR 1	OD
9	PP 0	0 D5	OD	56	PL 0	0 TAPE/VCR	OD
10	PA 0	I K1	-(EX PD)	55	PK 3	0 DAT	OD
11	PA 1	I K2	-(EX PD)	54	PK 2	0 TUN	OD
12	PA 2	I K3	-(EX PD)	53	PK 1	0 CD	OD
13	PA 3	I K4	-(EX PD)	52	PK 0	0 PHONO	OD
14	PB 0	I CDD		51	V _p	- V _p	
		CD DIRECT H:CD DIRECT					
		DISPLAY INPUT L:Normal	-	50	PJ 3	0 A MUT	PU
15	PB 1	I SLEEP		49	PJ 2	0 TEST	PU
		SLEEP TIMER SW					
16	PB 2	I 8-6		48	PJ 1	0 MUTE	OD (EX PU)
		AUDIO INPUT 8 IN ↔ 6 IN					
		SELECT (H:8 IN L:6 IN)	-	47	PJ 0	0 WIDE	PU
17	PB 3	I HOLD		46	PI 3	0 T MUT	OD (EX PU)
		(NC) to GND					
18	PC 0	0 PON		45	PI 2	0 MONO	OD (EX PU)
		MAIN RELAY DRIVE H:ON					
		L:OFF	PU	44	PI 1	0 INH	PU
19	PC 1	I A1		43	PI 0	0 CE 2	PU
		TUNER Markets Select	PU RESET				
20	PC 2	I A2		42	PG 3	0 STRQ	PU
			PU "L"				
21	PC 3	I PSW		41	PG 2	0 CE 1	PU
		LOCK SW(6 model) H:ON					
		NON LOCK SW(EXCEPT G)L:OFF	OD	40	PG 1	0 C1	PU
		VIDEO SIGNAL SELECT	PU RESET				
22	PD 0	0 V1		39	PG 0	0 DATA	PU
			PU				
23	PD 1	0 V2					
			PU				
24	PD 2	0 VOLUP					
		VR Motor IC DRIVE SIGNAL	PU "L"				
25	PD 3	0 VOLDN		38	PF 3	I REMO	OD
			PU				
26	PE 0	0 SP.A		37	PF 2	0 STO	PU
		NC	PU				
27	PE 1	0 SP.B		36	PF 1	I STSG	OD (EX PU)
			PU				
28	PE 2	I PODM		35	PF 0	I ST	OD (EX PU)
		POWER DOWN DETECT	OD (EX PU)				
		H:Normal L:Power Down		34	RES	I RES	
		SURROUND μ-COM POWER DOWN	PU				
		SIGNAL		33	OSC 2	- OSC 2	
		H:Normal L:Power Down					
				32	OSC 1	- OSC 1	
30	TEST	- TEST	-	31	V _{SS}	-	

INPUT SELECTOR

Function (display)	LD	VCR2	VCR1	TAPE2	TAPE1	DAT/TUNER	CD	PHONO
Pin No.								
PM0 (60)	I	0	I	0	I	0	I	0
PM1 (61)	I	I	0	0	I	I	0	0
PM2 (62)	I	I	I	I	0	0	0	0
PDD (22)	I	I	0	-	-	-	-	-
PDI (23)	0	I	I	-	-	-	-	-

REMOTE CONTROL (PHONO)

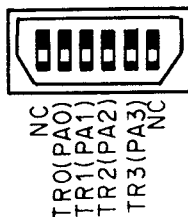
VOL	UP	DC IN
Pin No.		
PD2 (24)	I	0
PD3 (25)	0	I

REMOTE CONTROL (TAPE)

Function (display)	PLAY	◀◀	▶▶	□	REC/PAUSE	REC/MUTE	A/B	DIR A	DIR B
Pin No.									
PA0 (10)	0	I	0	I	I	0	I	0	I
PA1 (11)	0	I	I	0	0	I	I	0	0
PA2 (12)	I	0	0	0	I	I	I	I	I
PA3 (13)	0	0	0	0	0	0	I	I	I

Remote Control Terminal

(Tape)

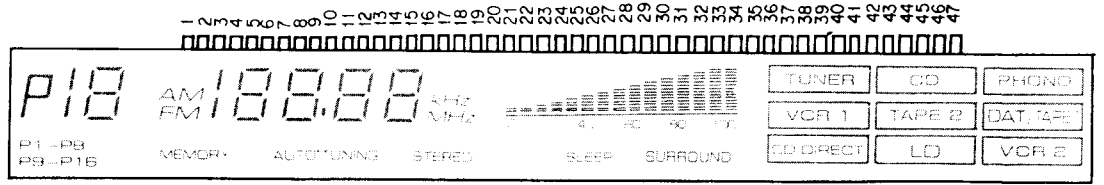


When checking the Remote Control function, connect the Remote Control Cable and Pin-plug cable securely.
(Pin-plug cable forms Remote Control GND circuit.)

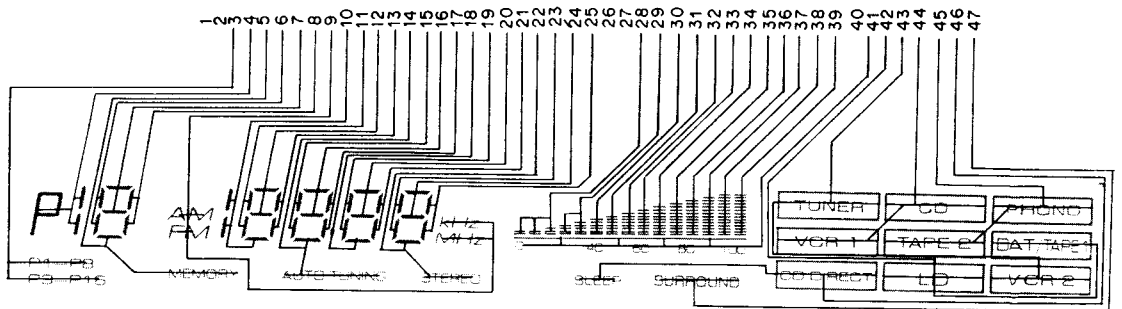
RX-930

■ DISPLAY Pin Connection

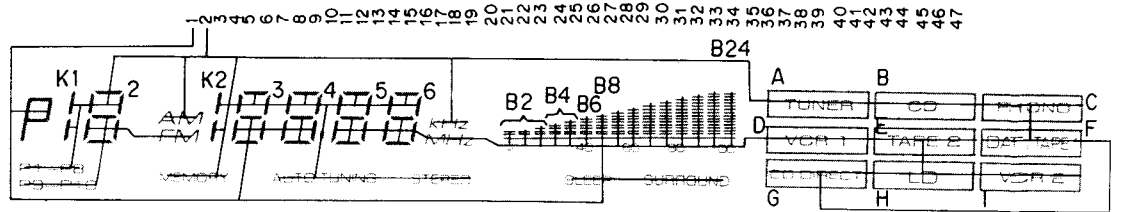
LCD : LCD-8063BJP



SEGMENT



COMMON



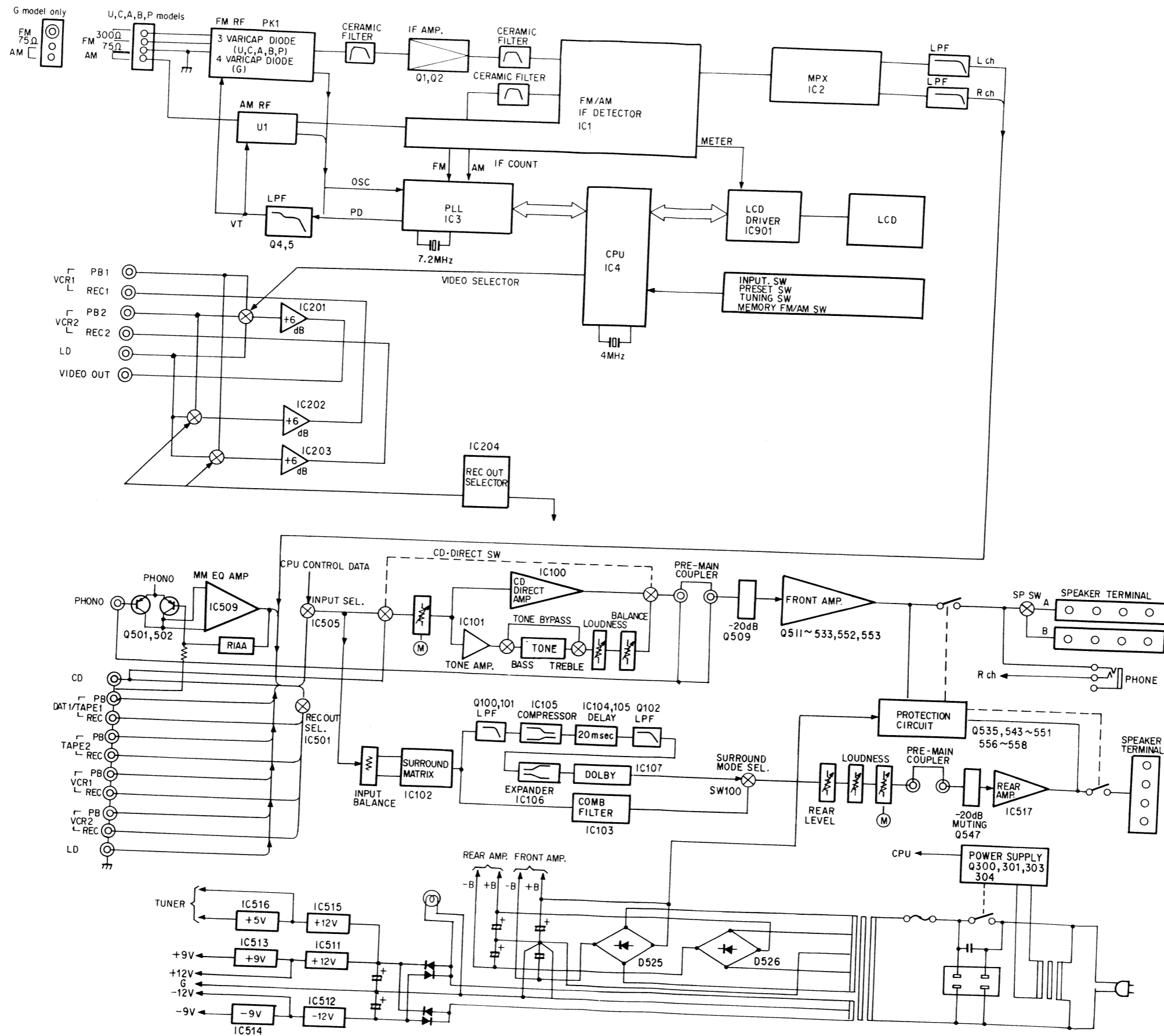
NO	1	2	3	4	5	6	7	8	9	10	11	12	13	14	15	16	17
COM 1	-	COM	P1-P8	K1	MEMO-RY	2f	2a	2b	AM kHz	K2	3f	3a	3b	1)	4f	4a	4b
COM 2	COM	-	P9-P16	P	2d	2e	2g	2c	FM kHz	3d	3e	3g	3c	4d	4e	4g	4c

NO	18	19	20	21	22	23	24	25	26	27	28	29	30	31	32	33	34
COM 1	COL	5f	5a	5b	STEREO	6f	6a	6b	--	--	--	--	--	--	--	--	--
COM 2	5d	5e	5g	5c	6d	6e	6g	6c	--	--	B2	B4	B6	B8	B10	B12	B14

NO	35	36	37	38	39	40	41	42	43	44	45	46	47
COM 1	--	--	--	--	--	--	--	F	A	B	C	G	--
COM 2	B16	B18	B20	B22	B24	--	2)	H	I	D	E	SLEEP	3)

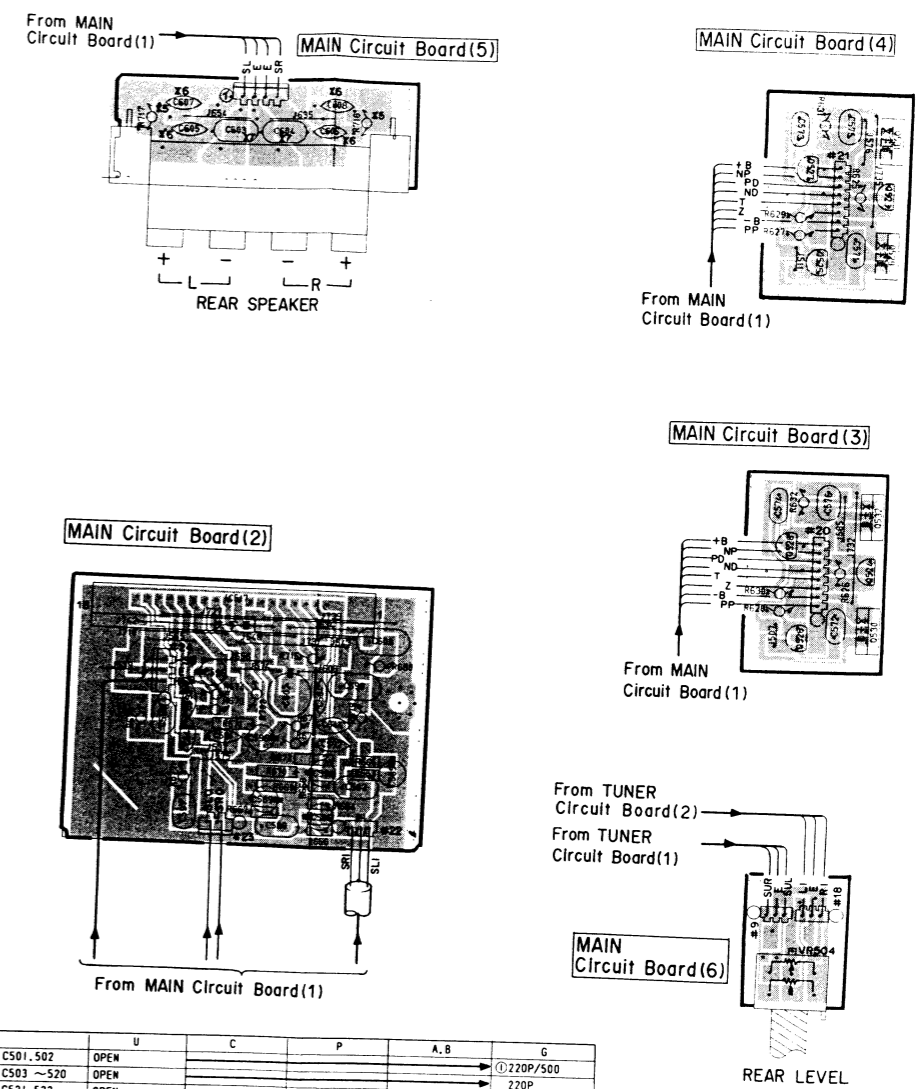
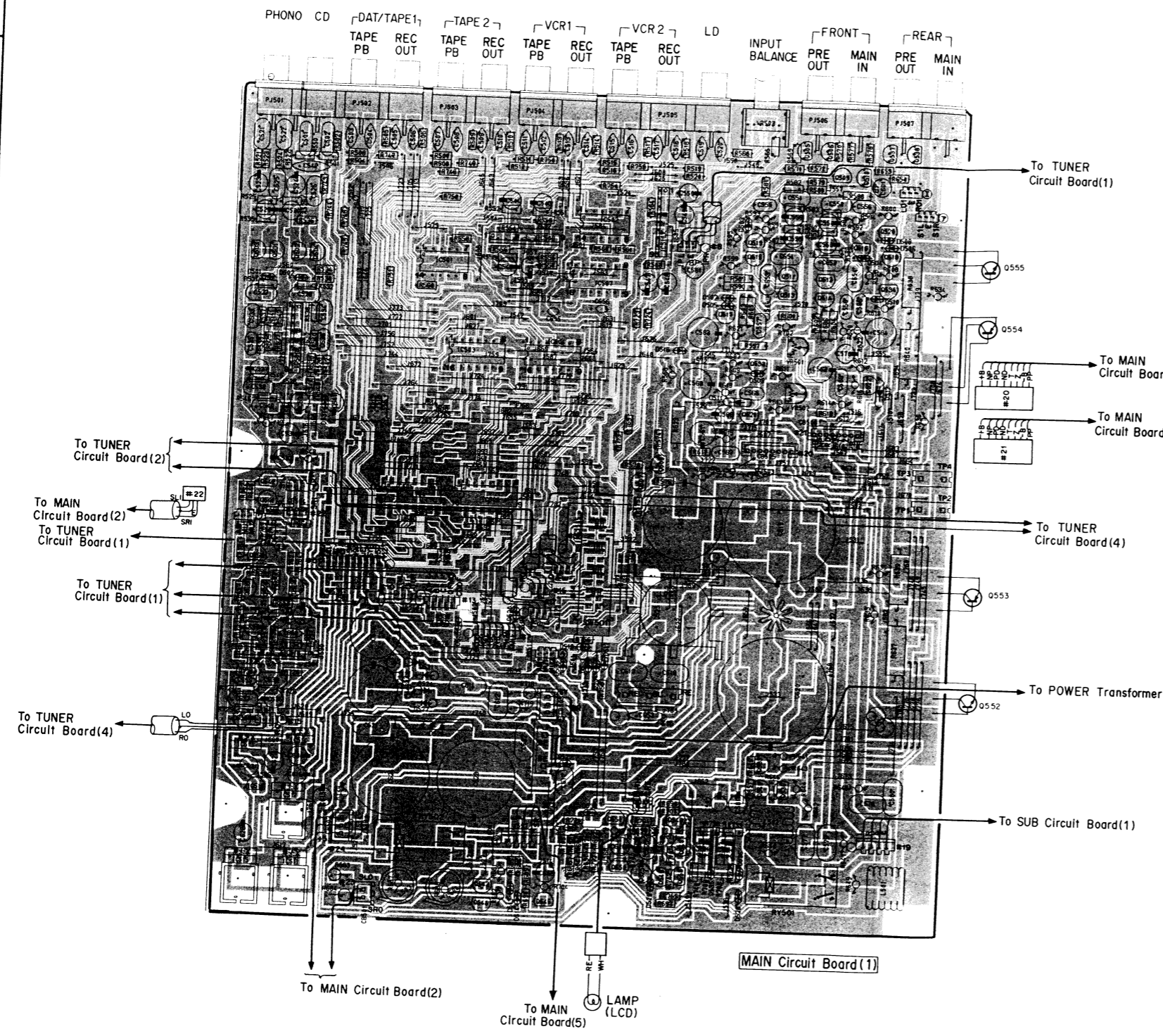
1) AUTO TUNING 2) 0 40 60 80 100 3) SURROUND

■ BLOCK DIAGRAM



PRINTED CIRCUIT BOARD (Pattern Side) (Note) 文字面 : Component Side

RX-930



		U	C	P	A, B	G
*1	C501.502	OPEN				① 220P/500
*2	C503 ~ 520	OPEN				220P
*3	C521.522	OPEN				P 220P/100
	C651.652					
*5	R716.717	OPEN				2.2
*6	C605 ~ 608	OPEN				4700P
*7	C603.604	OPEN				P 4700P/100
*9	C653.654	OPEN				P 270P/100
*10	R708.709	2P1.2K				
*11	D535.536	OPEN	MTZJ6.2C	2P1.2K		
*12	R740.741	OPEN	270	OPEN		
*13	R738.739	OPEN	15K	OPEN		
*14	Q558.557	X				
*15	C657	OPEN		X		0.047

PRINTED CIRCUIT BOARD (Pattern Side) (Note) 文字面 : Component Side

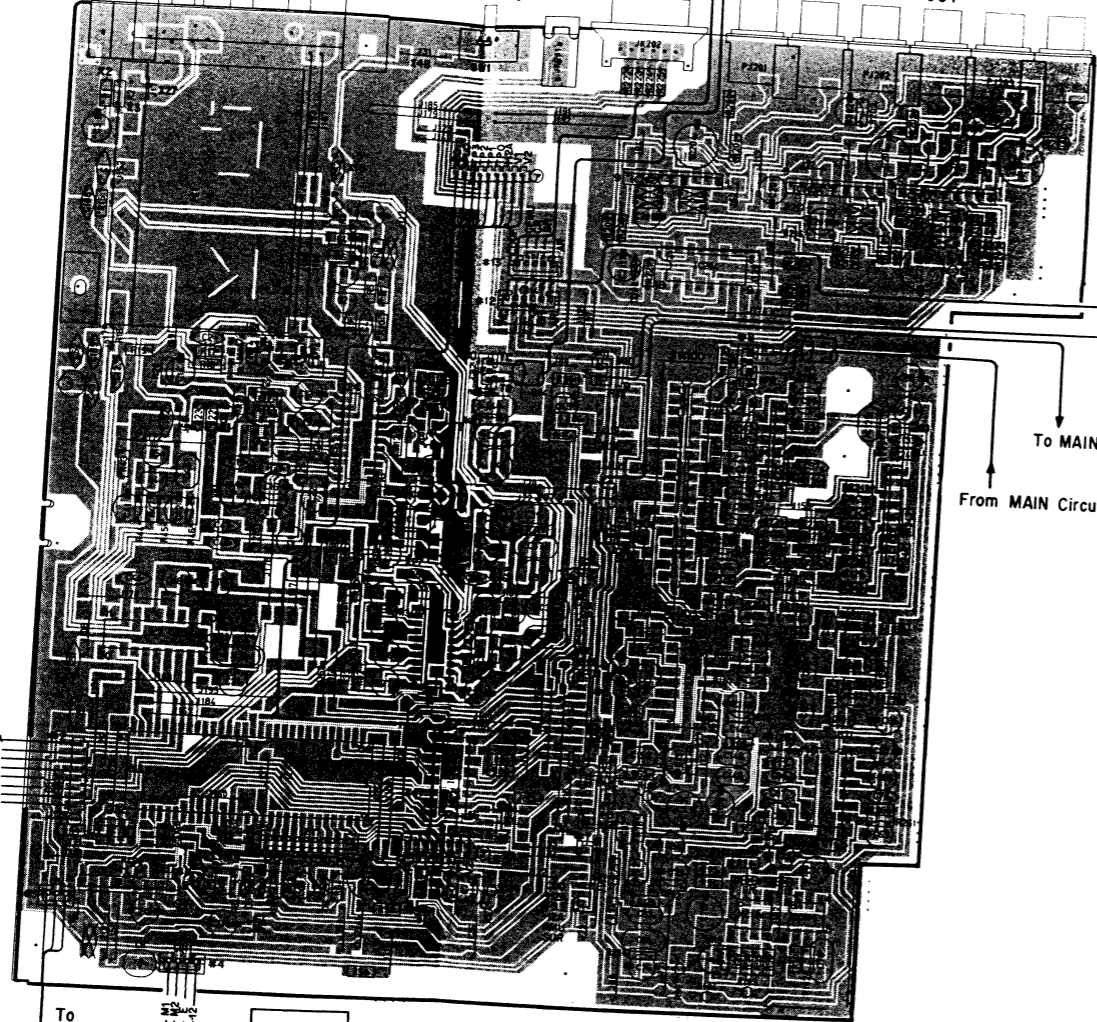
TUNER Circuit Board (1)

300Ω-75Ω
FM ANT - GND AM ANT

FREQUENCY STEP (P model only)
PHONO TAPE

From MAIN Circuit Board (1)

VCR1 IN OUT VCR2 IN OUT LD MONITOR OUT



To TUNER Circuit Board (2)

To MAIN Circuit Board (6)

From MAIN Circuit Board (1)

To TUNER Circuit Board (4)

To TUNER Circuit Board (5)

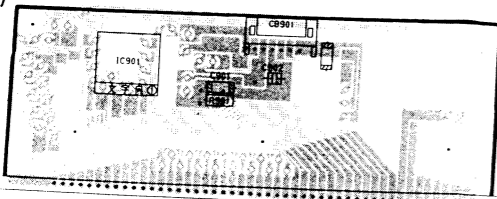
To TUNER Circuit Board (3)

From MAIN Circuit Board (1)

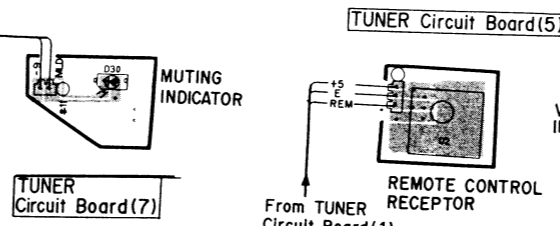
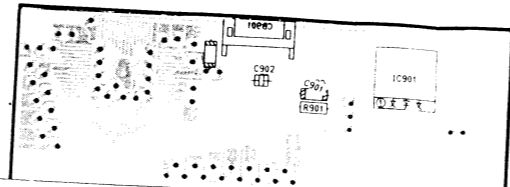
From MAIN Circuit Board (1)

To SUB Circuit Board (1)

LCD DISPLAY Circuit Board (Pattern Side)



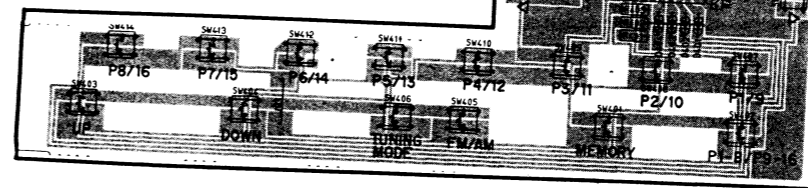
LCD DISPLAY Circuit Board (Parts Side)



TUNER Circuit Board (7)

From TUNER Circuit Board (1)

TUNER Circuit Board (3)

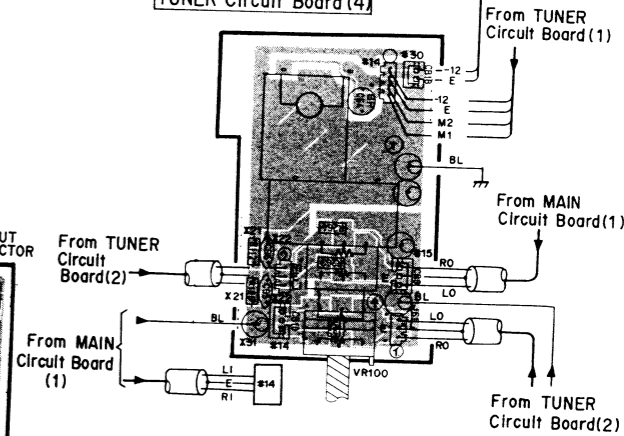


From TUNER Circuit Board (1)

From MAIN Circuit Board (1)

From MAIN Circuit Board (1)

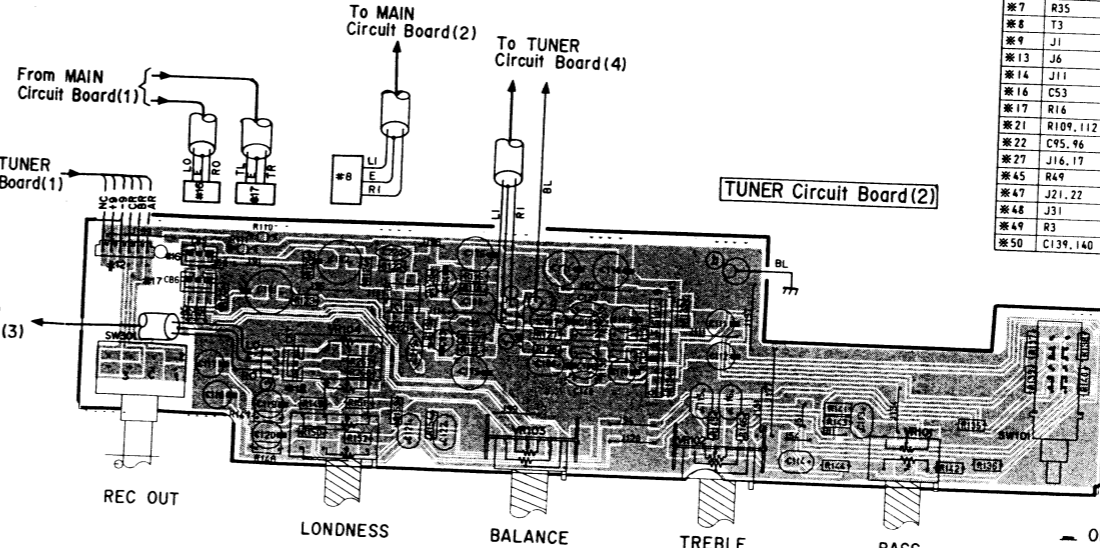
TUNER Circuit Board (4)



From TUNER Circuit Board (1)

From MAIN Circuit Board (1)

From TUNER Circuit Board (2)



From MAIN Circuit Board (1)

To TUNER Circuit Board (3)

To MAIN Circuit Board (2)

To TUNER Circuit Board (4)

TUNER Circuit Board (2)

REC OUT LONNESS BALANCE TREBLE BASS

REC OUT CODE

Position	Circuit	1	2	3
LD				
VCR2		○		
VCR1		○	○	
TAPE 2			○	
DAT/TAPE 1			○	○
TUNER		○	○	○
CD		○		○
PHONO				○

	U.C	P	A.B	G
*2	R1	OPEN		470K
*3	R2	OPEN		390K
*6	C11	P 100P/100		OPEN
*7	R35	OPEN		4.7K
*8	T3	OPEN		GE20053
*9	J1	SHORT		OPEN
*13	J6	SHORT	OPEN	
*14	J11	OPEN	SHORT	
*16	C53	0.01	OPEN	
*17	R16	JUMPER		
*21	R109,112	OPEN		220
*22	C95,96	OPEN		2.2
*27	J16,17	OPEN		4700P
*45	R49	22K		SHORT
*47	J21,22	SHORT	OPEN	JUMPER
*48	J31	OPEN	SHORT	
*49	R3	33	OPEN	1 M H
*50	C139,140	OPEN		220P

ON
OFF
TONE BYPASS

PRINTED CIRCUIT BOARD (Pattern Side) (Note) 文字面 : Component Side

1

2

3

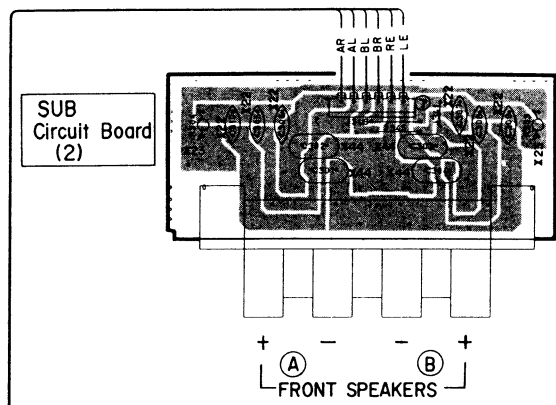
4

5

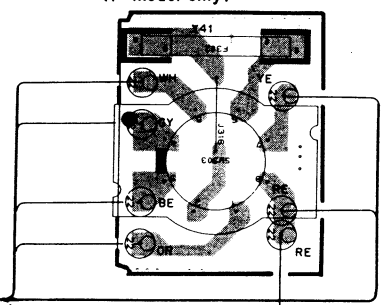
6

7

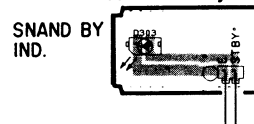
		U.C	P	A,B	G
*9	J301	SHORT			OPEN
*22	C305 ~310	OPEN			4700P
*23	R303, 304	OPEN			2.2
*25	R309	OPEN			2.2K
*27	J306	OPEN			SHORT
*28				○	
*30	C316, 318	OPEN			0.01
*31	R311	1/2P2.2M	OPEN		
*33	J311	SHORT	OPEN	SHORT	
*34	Q303	x	○	x	
*35	Q304	x	○	x	
*36	D304	OPEN	MTZJ13A	OPEN	
*37	R307	OPEN	18K	OPEN	
*38	C313, 314	OPEN	10/16	OPEN	
*41	F302	OPEN	T3.5A250V	OPEN	
*42	F301	7A125V	7A250V	T3.15A250V	
*43	F303	OPEN			T2.5A250V
*44	C301 ~304	OPEN			P 4700P/100
*49	R310	OPEN	47	OPEN	
*50	J326		x	SHORT	OPEN
*54		○			○
*55	C320 ~322	OPEN			4700P/400



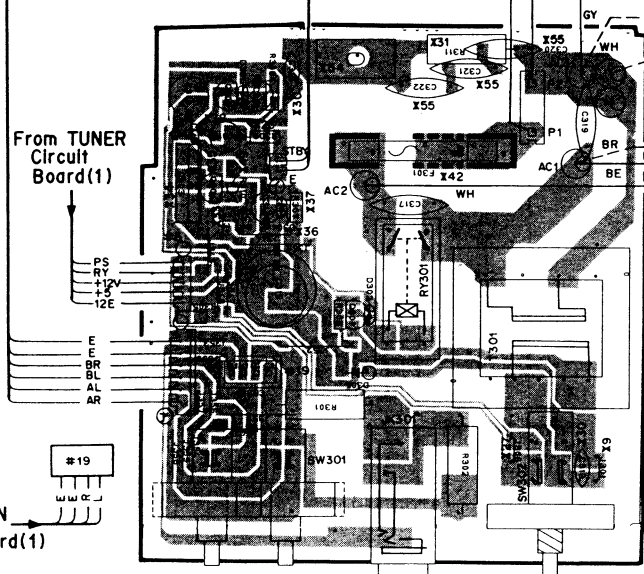
SUB Circuit Board (4) (P model only)



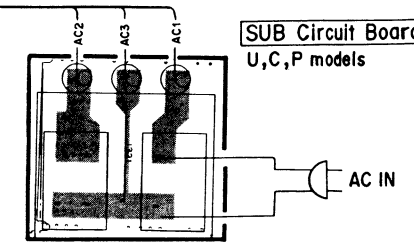
SUB Circuit Board (6) (G model only)



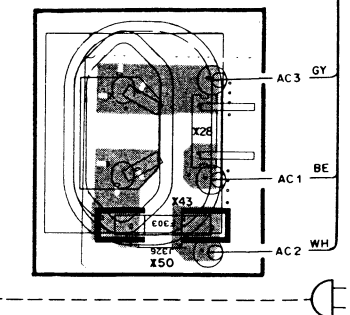
SUB Circuit Board (1)



SUB Circuit Board (3) U,C,P models



SUB Circuit Board (5) A,B,G models



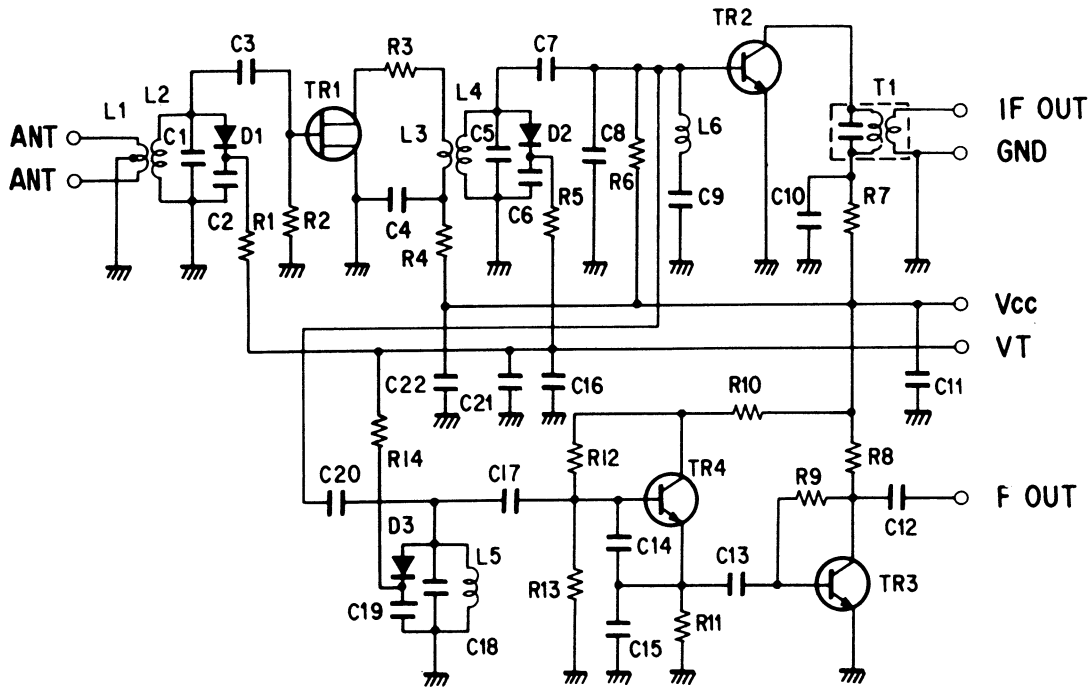
ON OFF B A PHONES POWER

RX-930

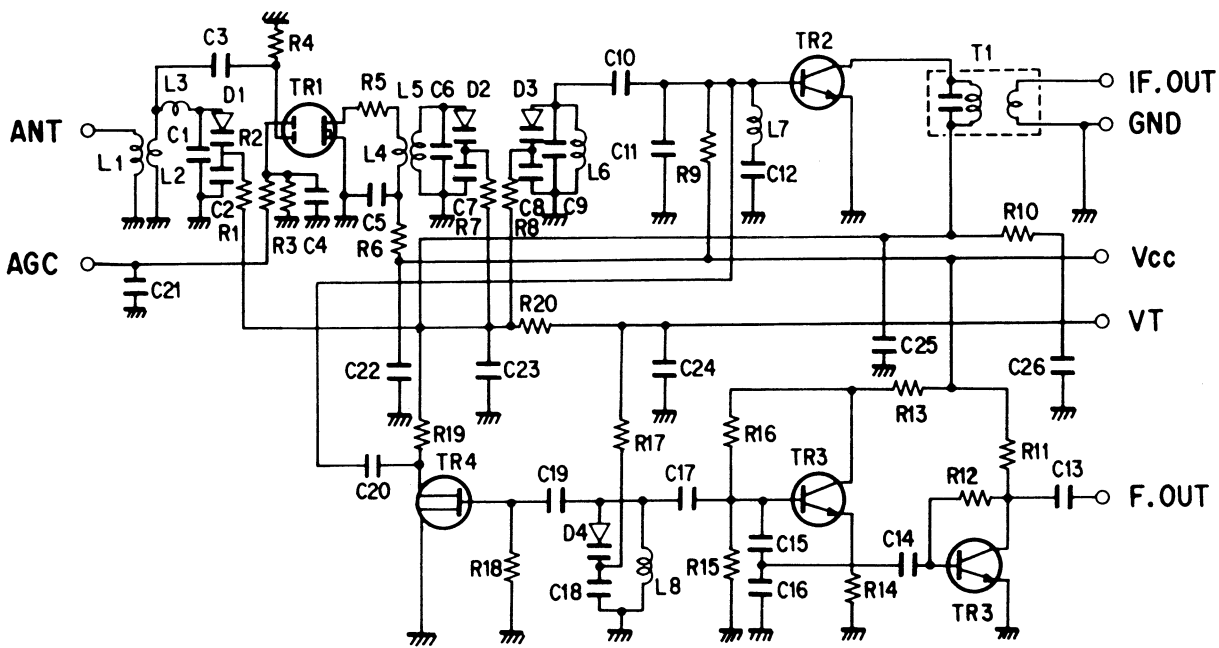
RX-930

SCHEMATIC DIAGRAM

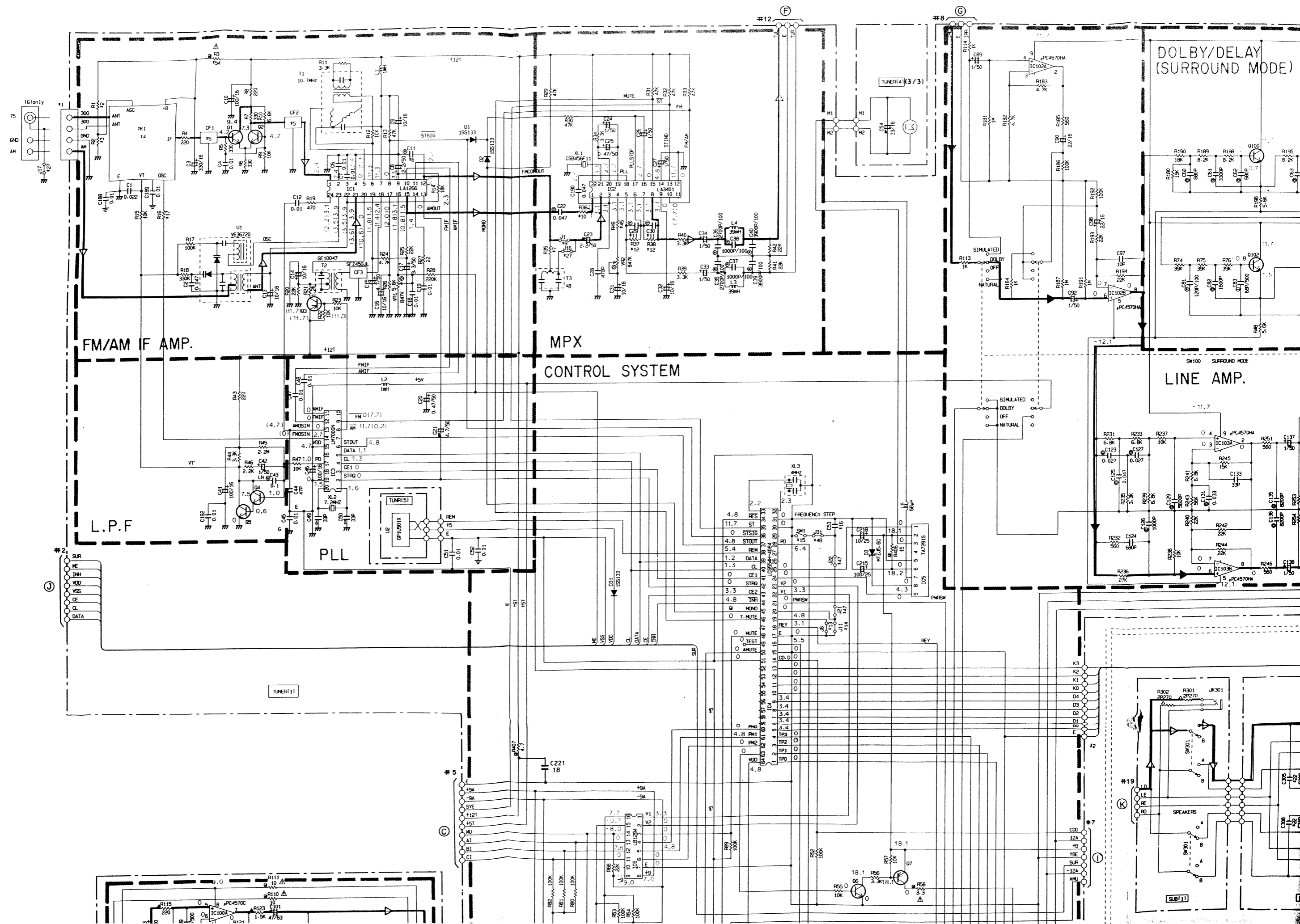
U.C.A.B.P Models



G Model



SCHEMATIC DIAGRAM



5

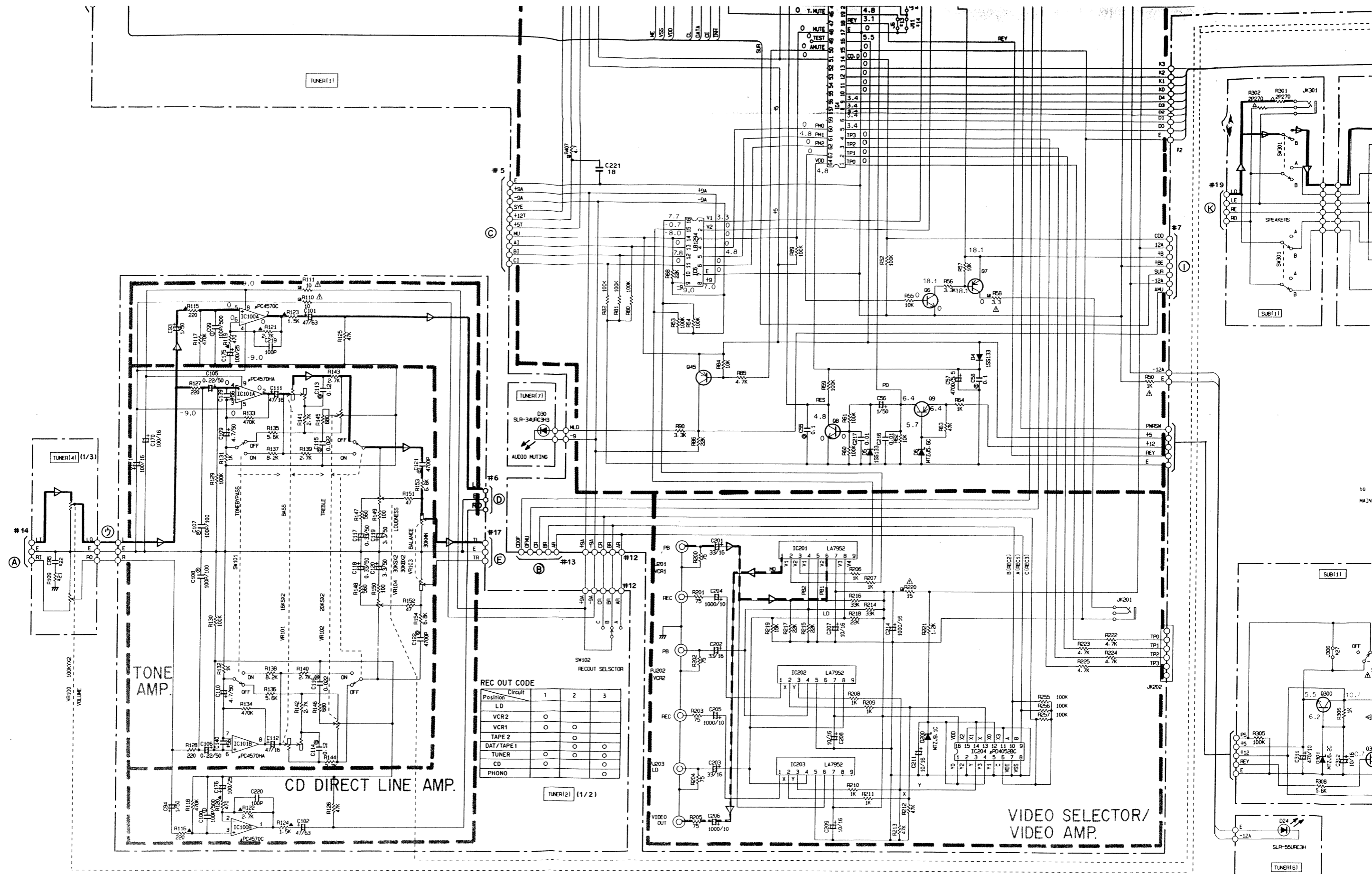
6

7

8

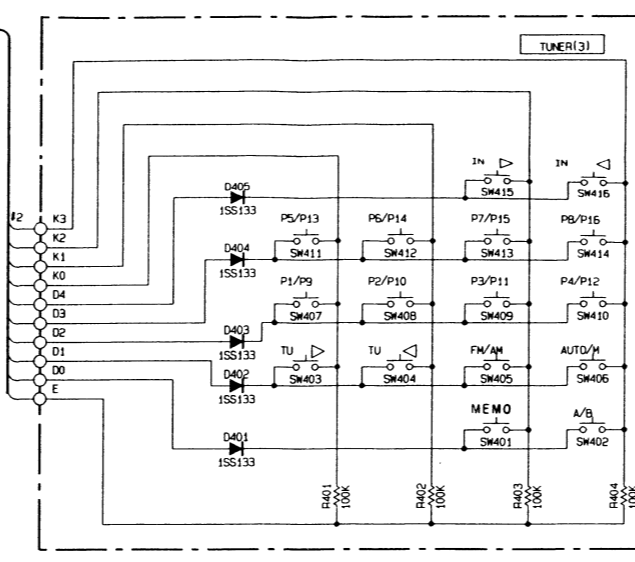
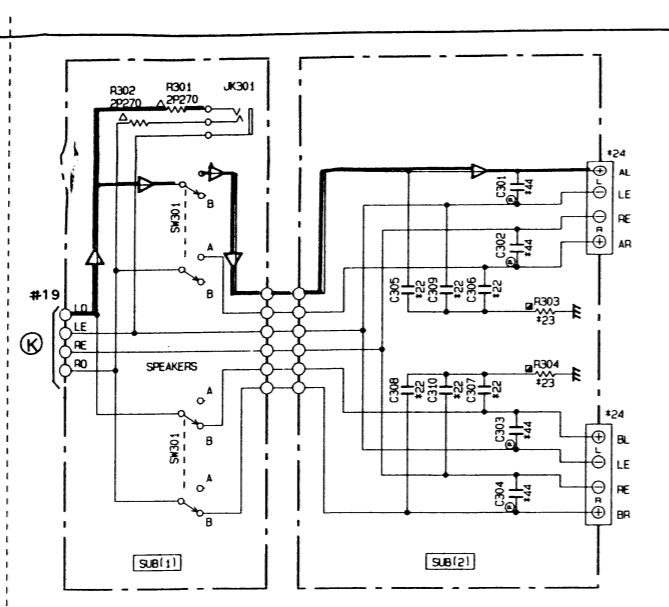
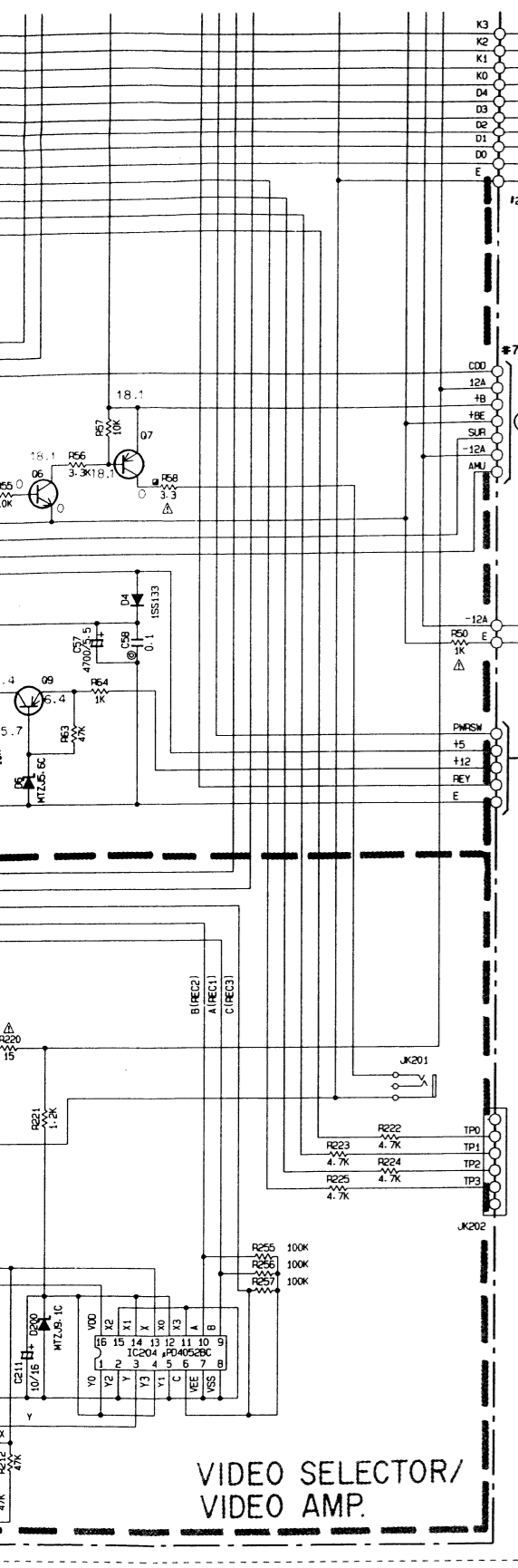
9

10



■ PIN CONNECTION DIAGRAM OF TRANSISTORS, DIODE AND ICS.

<p>2SA1492 2SC3856 2SC2577</p>	<p>2SA933S 2SC1740S</p>	<p>2SA970 2SA1015 2SC1815 2SC2240 2SC2878 2SA934</p>	<p>2SA1115 2SA1310 2SC2603 2SC3312 2SC535</p>	<p>2SA1145 2SC2705</p>	<p>2SA1306 2SC3298 2SC1983</p>	<p>DIODES</p>	<p>D5FB20</p>	<p>RBV-402LF-4</p>	<p>NJM78L05</p>	<p>AN7812</p>	<p>AN78M09</p>	<p>AN7912 AN79M09</p>	<p>STK-414IV</p>	<p>μ PC4570HA</p>
--	-----------------------------	--	---	----------------------------	--	---------------	---------------	--------------------	-----------------	---------------	----------------	---------------------------	------------------	-------------------



*45	R49	22K				SHORT
*46	SW302	KAB0455				KAB0447
*47	J21.22	SHORT		OPEN		
*48	J31	OPEN	SHORT	OPEN		
*49	R310	OPEN		47	OPEN	
*50	J326	OPEN			SHORT	OPEN
*51	RY301	VE99920 or W23090			VE56890	
*52	J316	OPEN	SHORT	OPEN		
*53	C319	0.01			0.01/400	
*54	R3	33				1μH
*55	C320-322	OPEN				4700P
*56	C139-140	OPEN				220P/400

03-9-45	25A1115(E.F) or 25A1310(R.S.T) or 25A9335(G.R)
07	25A934(P.D.R)
01-2	25C535(A.B.C)
04-6-8 100-102-300-304	25C2603(E.F) or 25C3312(R.S.T) or 25C17405(S.R)
0301	25C2878(A.B)
0303	25C2577(D.P.Y)

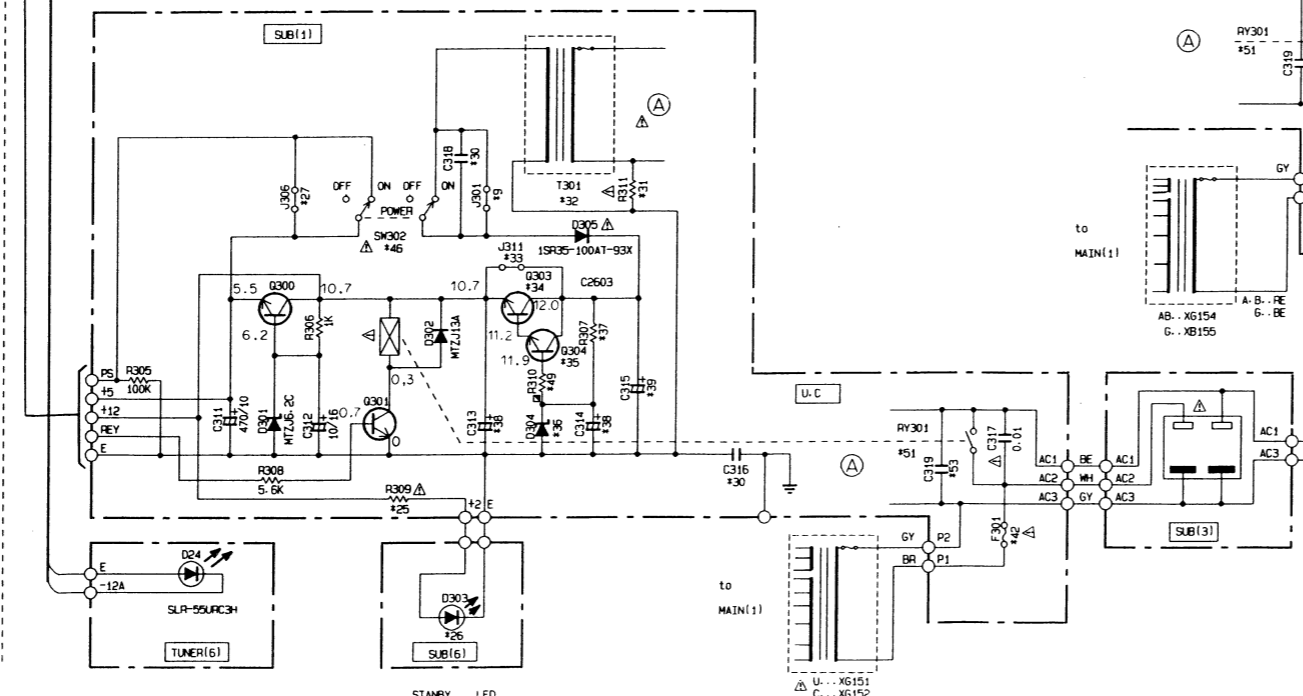
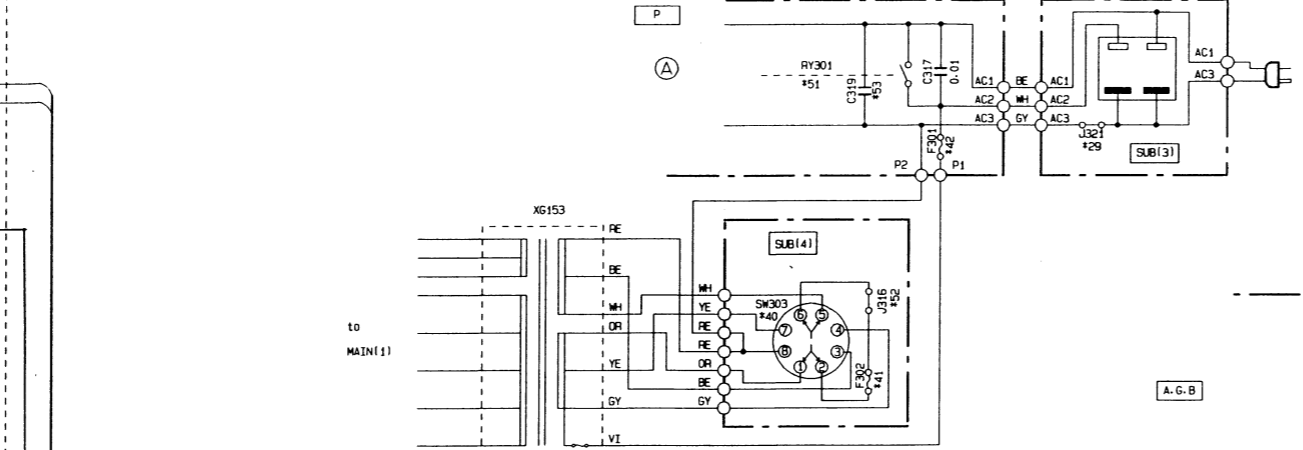
SUB		
	LAST NO.	UN LISTED NO.
C	322	
R	311	
Q	304	302
D	305	
IC		

TUNER		
	LAST NO.	UN LISTED NO.
C	220	
R	407	
Q	102	
D	405	
IC	204	
SM	416	
VR	104	

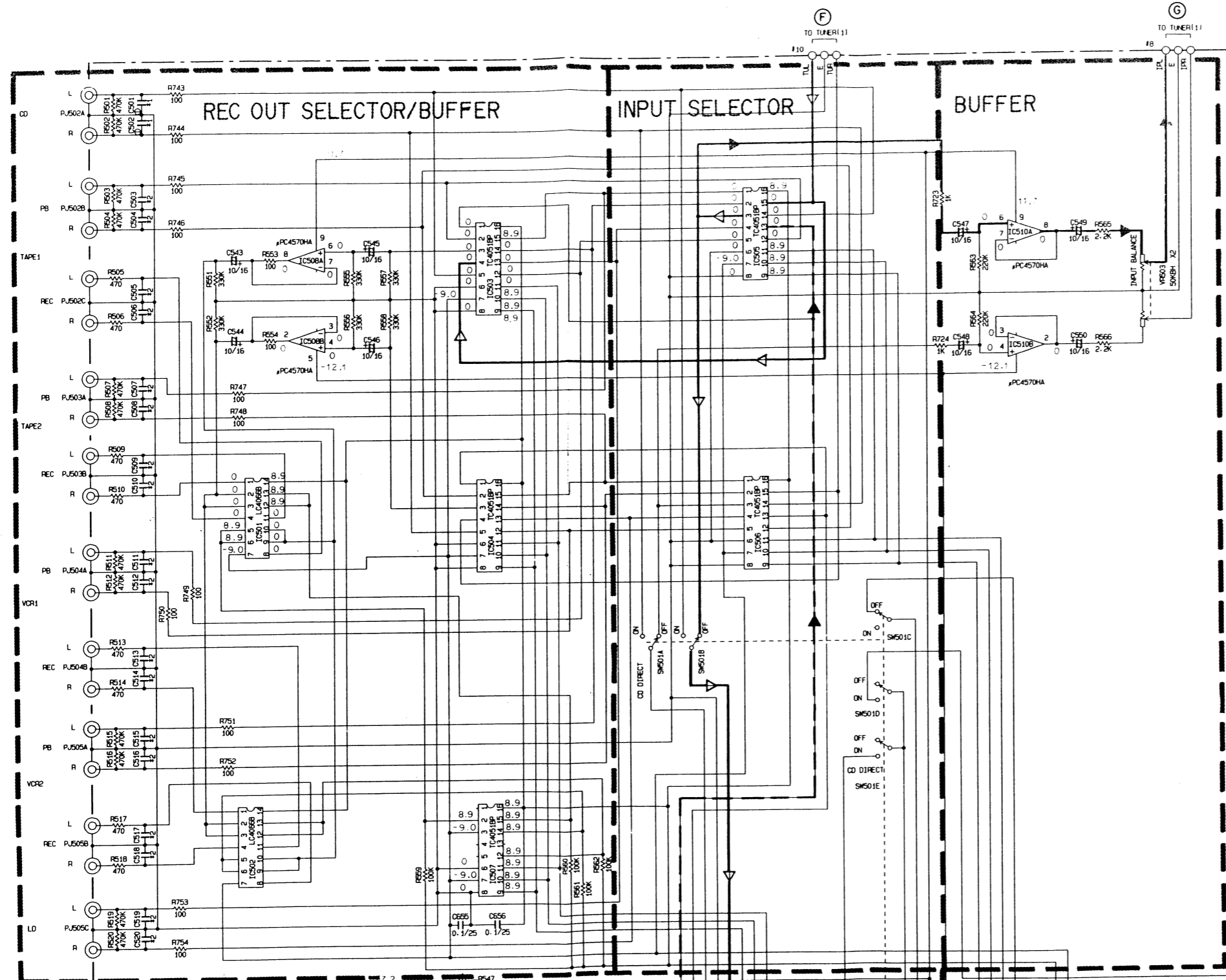
NOTICE
 (J)..... Japanese model
 (U)..... U.S.A model
 (C)..... Canadian model
 (A)..... Australian model
 (G)..... European model
 (B)..... British model
 (R)..... General model.
 (P)..... RP model

CAPACITOR	
REMARKS	PARTS NAME
NO MARK	ELECTROLYTIC CAPACITOR
⊗	TANTALUM CAPACITOR
NO MARK	CERAMIC CAPACITOR
⊙	POLYESTER FILM CAPACITOR
○	POLYSTYRENE FILM CAPACITOR
⊖	MICA CAPACITOR
⊕	POLYPROPYLENE FILM CAPACITOR
●	SEMICONDUCTIVE CERAMIC CAPACITOR

RESISTOR	
REMARKS	PARTS NAME
NO MARK	CARBON FILM RESISTOR (1/6W)
⊗	CARBON FILM RESISTOR (1/4W)
△	METAL OXIDE FILM RESISTOR
▲	METAL FILM RESISTOR
⊠	METAL PLATE RESISTOR
⊞	FIRE PROOF CARBON FILM RESISTOR
⊞	SEMENT MOLDED RESISTOR
⊞	SEMI VARIABLE RESISTOR
■	CHIP RESISTOR



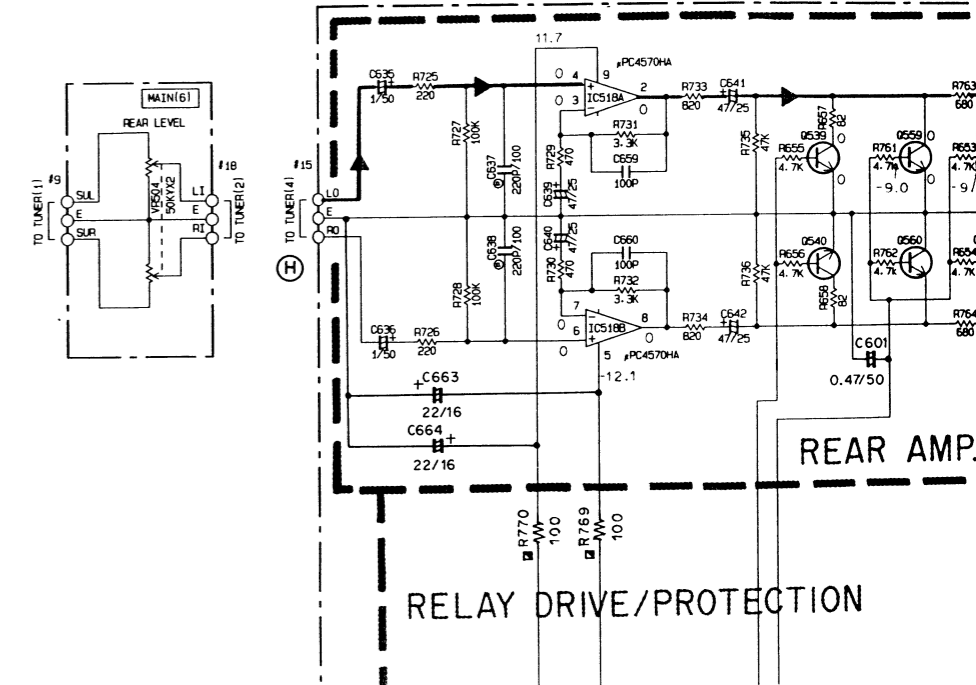
AN78M09 	AN7912 AN79M09 	STK-4141V 	μ PC4570HA 	LA3401 	μ PC4570C MN3101 MN3007Y 	LC4066B 	LA1266 	LM7000N 	LA7952 NJM4558S 	TA729PS 	LC6554H 	TC4051BP μ PD4052BC LB1294 LA2730 μ PC1571C
-------------	-----------------------	---------------	----------------	------------	------------------------------------	-------------	------------	-------------	------------------------	-------------	-------------	---



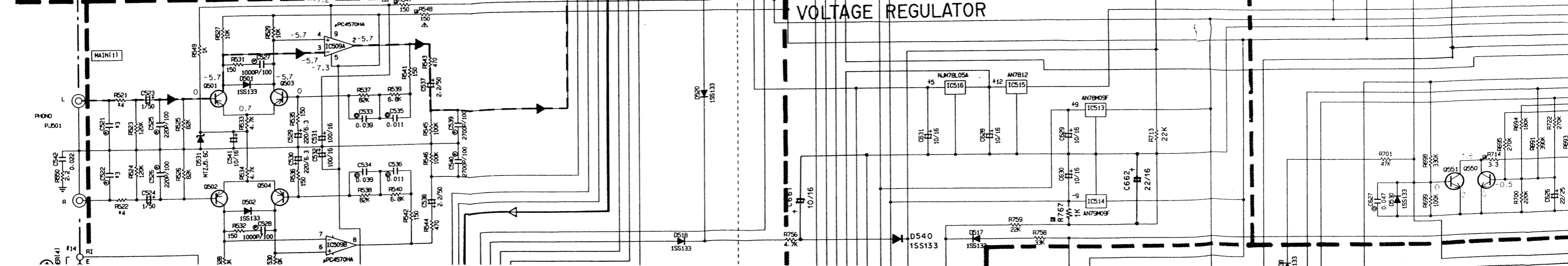
MAIN

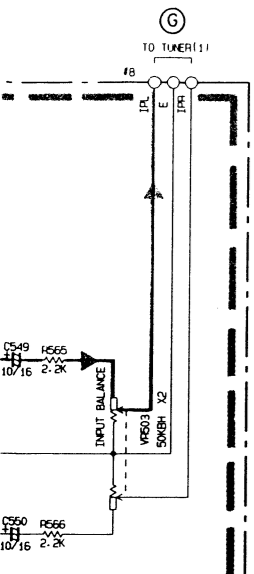
0501-504	511-514	545	2SA970(GR. BL)				
0533	534		2SA1015Y				
0527	528	546	2SA1145(D. Y)				
0515	516	521	522	535	536	2SC2240(GR. BL)	
543	544	547	550	523	524	558	
0505	510	537	542	551	559	560	2SC2878(A. B)
0519	520						2SC1815Y
0517	518	525	526				2SC2705(D. Y)
0529	530						2SC3298(D. Y)
0531	532						2SA1306(D. Y)
0553	554						2SA1492(D. Y)
0552	555						2SC3856(D. Y)
0556	557						2SC1983

#	U	C	P	A
#1	C501-502	OPEN		
#2	C503-520	OPEN		
#3	C521-522	OPEN		
#4	C551-652			
#5	R521-522	47		
#6	R716-717	OPEN		
#7	C605-608	OPEN		
#8	C603-604	OPEN		
#9	R708-709	2P1-2K	OPEN	2P1-2K
#10	C653-654	OPEN		
#11	R740-741	OPEN	15K	OPEN
#12	0535-536	OPEN	MTZJ6-2C	OPEN
#13	0556-557	OPEN	2SC1983	OPEN
#14	C657	OPEN		



VOLTAGE REGULATOR





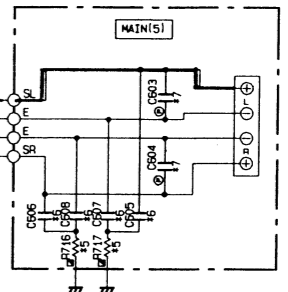
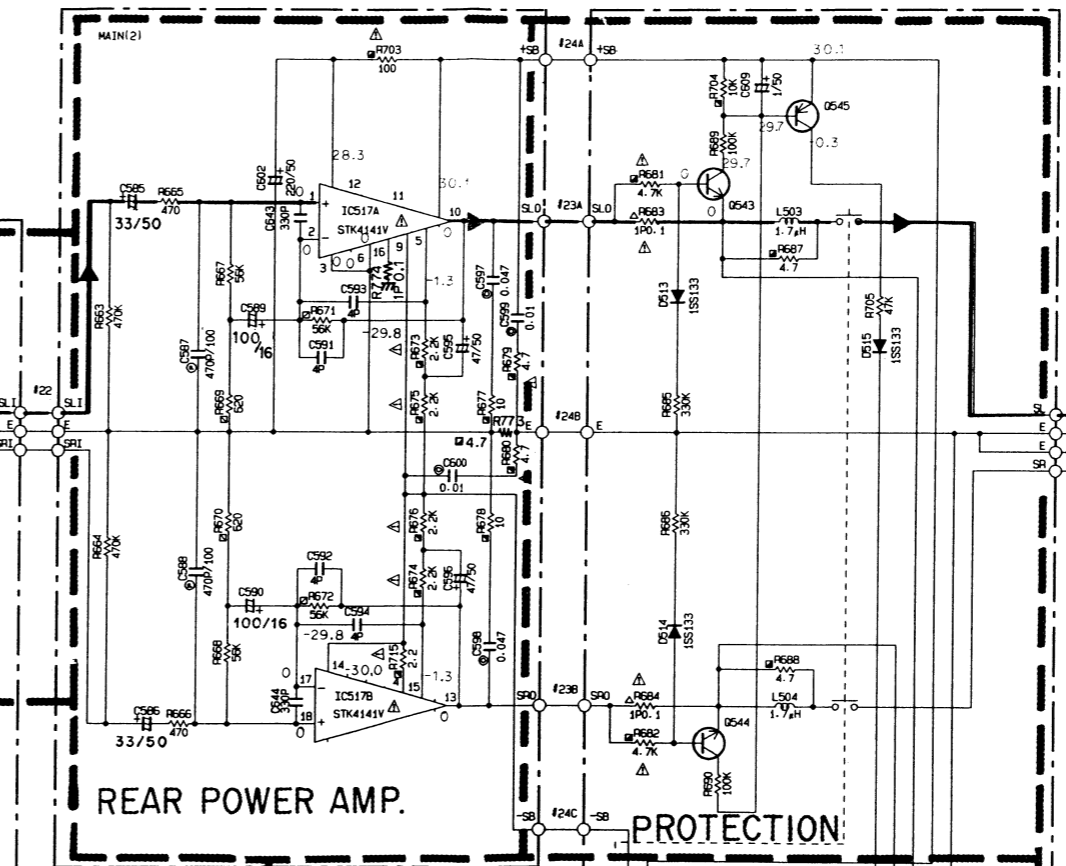
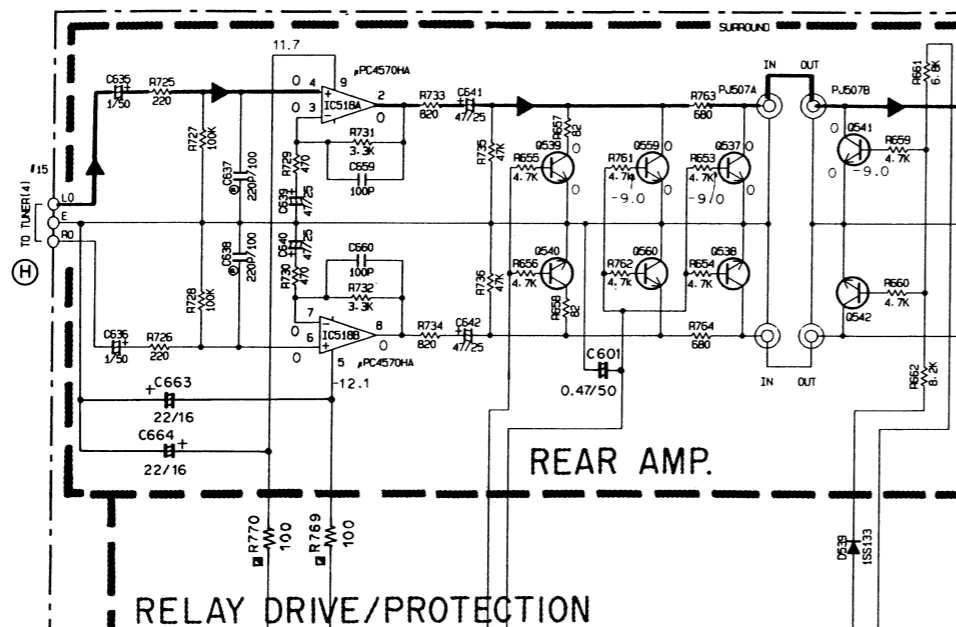
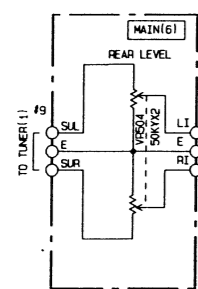
MAIN

0501-504	511-514	545	25A970(GR. BL.)				
0533	534		25A1015Y				
0527	528	546	25A1145(D. Y)				
0515	516	521	522	535	536	25C2240(GR. BL.)	
543	544	547	550	523	524	558	
0505	510	537	542	551	559	560	25C2878(A. B)
0519	520						25C1815Y
0517	518	525	526				25C2705(D. Y)
0529	530						25C3298(D. Y)
0531	532						25A1306(D. Y)
0553	554						25A1492(D. Y)
0552	555						25C3866(D. Y)
0556	557						25C1983

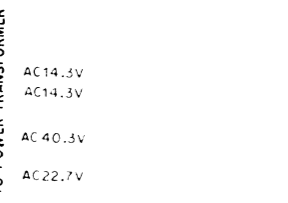
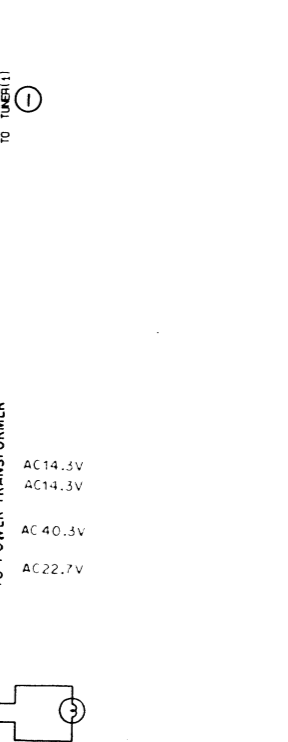
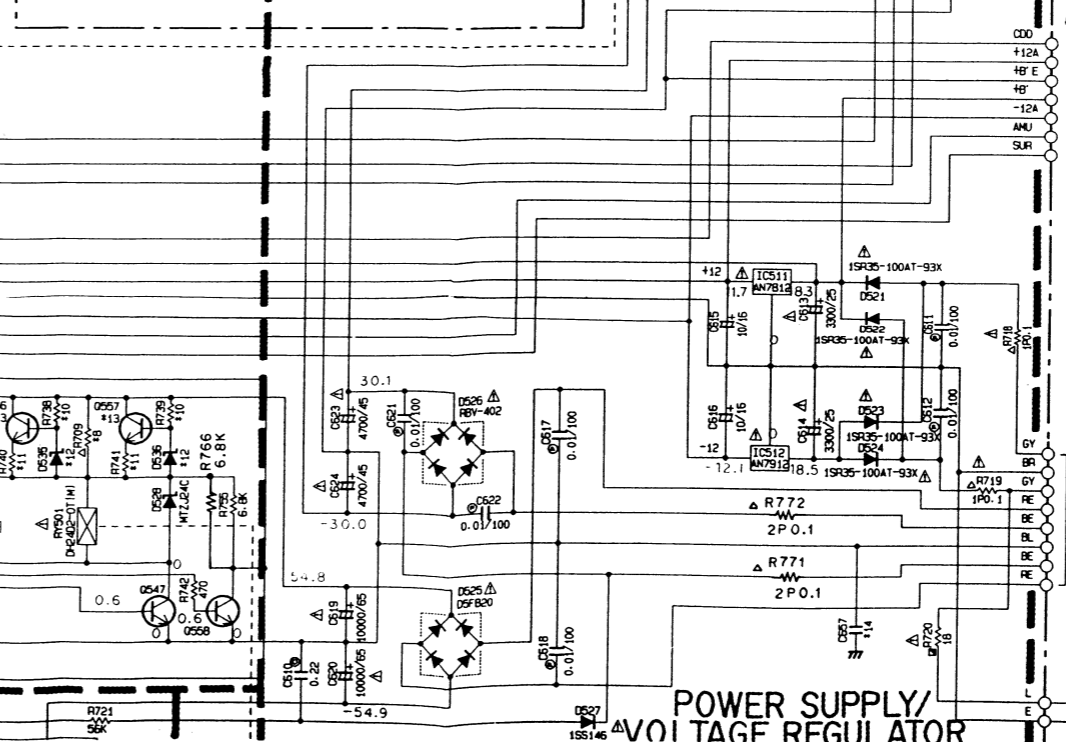
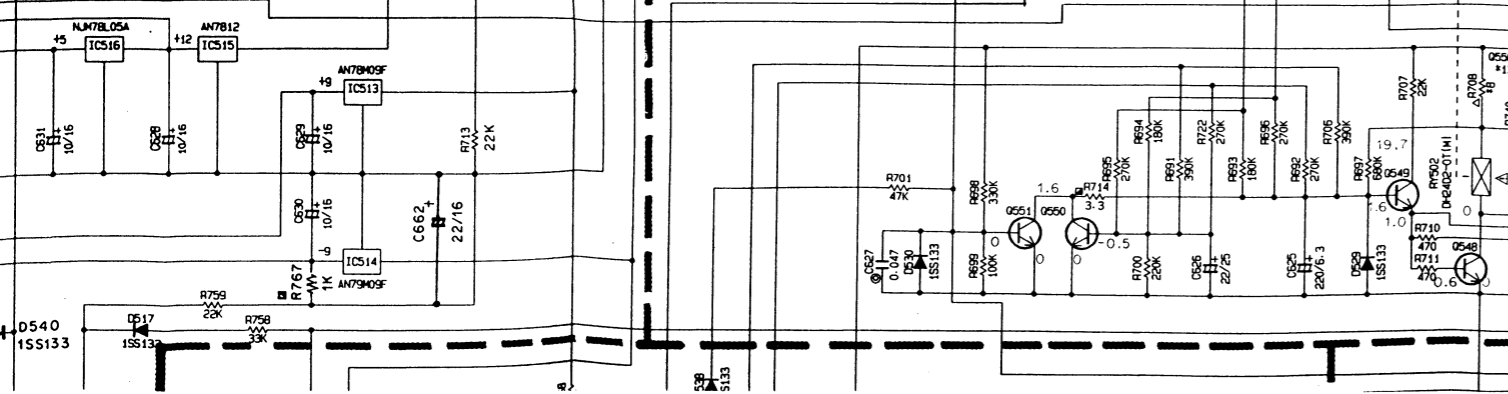
#	U	C	P	A	B	G
#1	C501	502	OPEN			220P/500
#2	C503	520	OPEN			220P
#3	C521	522	OPEN			220P/100
C651	652					
#4	R521	522	47			2.2K
#5	R716	717	OPEN			2.2
#6	C605	608	OPEN			4700P
#7	C603	604	OPEN			4700P/100
#8	R708	709	2P1.2K	OPEN	2P1.2K	
#9	C653	654	OPEN			270P/100
#10	R738	739	OPEN	15K	OPEN	
#11	R740	741	OPEN	270	OPEN	
#12	D535	536	OPEN	MTZJ6	2C	OPEN
#13	D556	557	OPEN	25C1983	OPEN	
#14	D557		OPEN			0.047

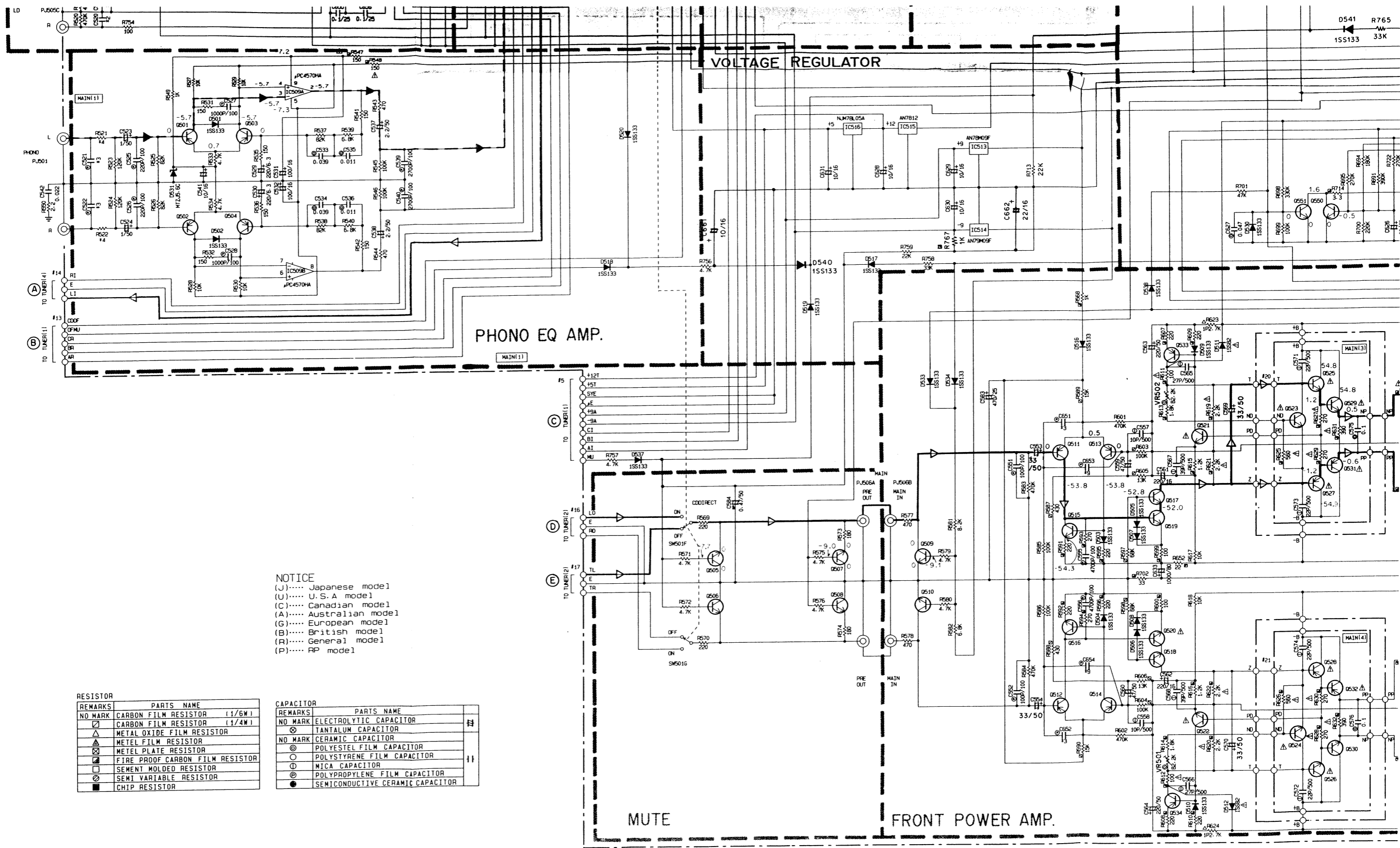
MAIN

LAST NO.	UN LISTED NO.
C	660
R	764
Q	560
D	539
IC	518



REGULATOR



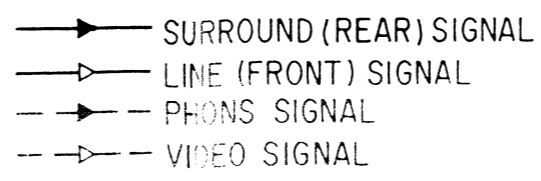
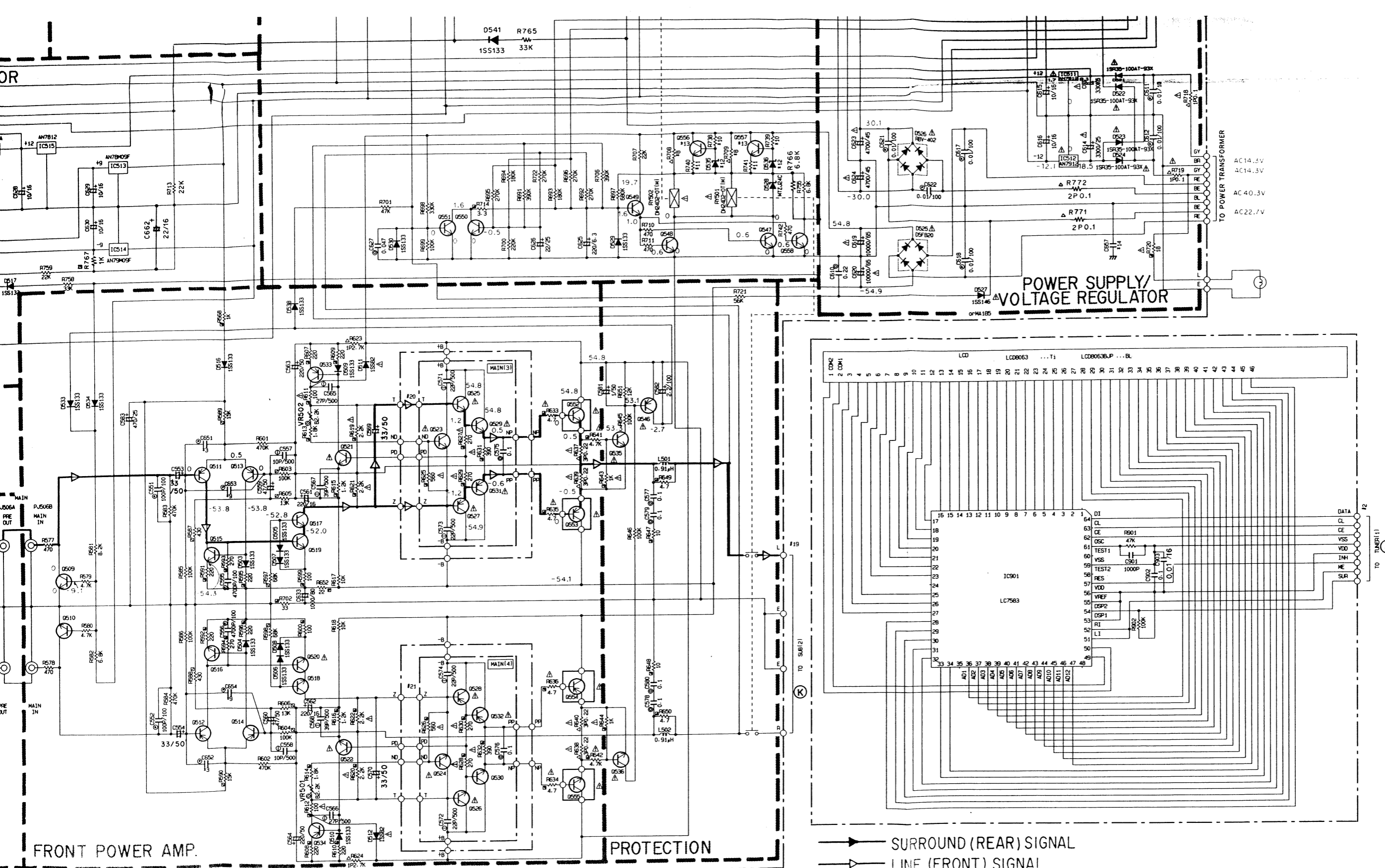


NOTICE
 (J)..... Japanese model
 (U)..... U.S.A model
 (C)..... Canadian model
 (A)..... Australian model
 (G)..... European model
 (B)..... British model
 (R)..... General model
 (P)..... RP model

REMARKS	PARTS NAME
NO MARK	CARBON FILM RESISTOR (1/6W)
□	CARBON FILM RESISTOR (1/4W)
△	METAL OXIDE FILM RESISTOR
▲	METAL FILM RESISTOR
⊠	METAL PLATE RESISTOR
■	FIRE PROOF CARBON FILM RESISTOR
□	SEMI MOLDED RESISTOR
□	SEMI VARIABLE RESISTOR
■	CHIP RESISTOR

REMARKS	PARTS NAME
NO MARK	ELECTROLYTIC CAPACITOR
⊗	TANTALUM CAPACITOR
NO MARK	CERAMIC CAPACITOR
○	POLYESTER FILM CAPACITOR
○	POLYSTYRENE FILM CAPACITOR
⊖	NICA CAPACITOR
⊖	POLYPROPYLENE FILM CAPACITOR
●	SEMICONDUCTIVE CERAMIC CAPACITOR

CAUTION
 ● Components replaced with
 * All voltages are
 * Schematic diagram




CAUTION

- Components having special characteristics are marked Δ and must be replaced with parts having specifications equal to those originally installed.
- * All voltages are measured with a 10M Ω /V DC electric volt meter.
- * Schematic diagram is subject to change without notice.

PARTS LIST

ELECTRICAL PARTS

■ WARNING

Components having special characteristics are marked  and must be replaced with parts having specifications equal to those originally installed.
 • Carbon resistors 1/6 W are not included in the ELECTRICAL PARTS list. For the parts No. of the carbon resistor, refer to the last Page.

Ref. No.	Part No.	Description			部 品 名	Remarks	Common Model	Markets	ランク
*	VG 78 65 00	LCD Indicator Circuit Board			L C D 表 示 シ ー ト	Black			
*	VH 23 75 00	//			//	Titan			
	VF 46 70 00	Ceramic Cap.	1000pF	50V	円筒型セラコン	C901			
	VH 05 31 00	//	0.1μF	50V	//	C902			
	VF 46 73 00	//	0.01μF	16V	//	C903			
	XB 76 40 01	IC	LC7583		I C	IC901			
	VB 85 87 00	Base Pin, PH	I-Type	8P	P H ベ ー ス ピ ン	CB901			
*	VF 94 91 00	LCD Indicator	LCD8063BJP		L C D 表 示 器	Black			
*	VH 20 86 00	//	LCD8063		//	Titan			
*	VH 28 97 00	Main Circuit Board			メ イ ン シ ー ト			U,A,BP	
*	VH 69 79 00	//			//			C	
*	VH 28 98 00	//			//			G	
	FG 21 04 00	Ceramic Cap.	4pF	50V	セ ラ コ ン	C591~594			
	FG 21 21 00	//	100pF	50V	//	C659,660			
	FG 21 22 20	//	220pF	50V	//	C503~520		P	
	FG 21 23 30	//	330pF	50V	//	C643,644			
	FG 21 34 70	//	4700pF	50V	//	C605~608		G	
	FG 24 42 20	//	0.022μF	50V	//	C542			
	FG 24 44 70	//	0.047μF	50V	//	C657		G	
	FU 35 11 00	Mica Cap.	10pF	500V	F E マ イ カ コ ン	C557,558			
	FU 35 12 20	//	22pF	500V	//	C571~574			
	FU 35 12 70	//	27pF	500V	//	C565,566			
	FU 35 13 90	//	39pF	500V	//	C567,568			
	FU 35 22 20	//	220pF	500V	//	C501,502			
	FZ 00 58 80	Ceramic Cap.	0.1μF	25V	積 層 セ ラ コ ン	C655,656			
	UA 25 41 00	Mylar Cap.	0.01μF	50V	マ イ ラ ー コ ン	C599,600			
	UA 25 41 10	//	0.011μF	50V	//	C535,536			
	UA 25 43 90	//	0.039μF	50V	//	C533,534			
	UA 25 44 70	//	0.047μF	50V	//	C597,598,627			
	UA 25 51 00	//	0.1μF	50V	//	C575~580			
	UA 25 52 20	//	0.22μF	50V	//	C610			
	UT 45 21 00	Polypropylene Film Cap.	100pF	100V	ポ リ プ ロ コ ン	C551,552			
	UT 45 22 20	//	220pF	100V	//	C525,526,637,638			
	UT 45 22 20	//	220pF	100V	//	C521,522,651,652		G	
	UT 45 22 70	//	270pF	100V	//	C653,654			
	UT 45 24 70	//	470pF	100V	//	C587,588			
	UT 45 31 00	//	1000pF	100V	//	C527,528			
	UT 46 32 70	//	2700pF	100V	//	C539,540			
	UT 45 34 70	//	4700pF	100V	//	C555,556			
	UT 45 34 70	//	4700pF	100V	//	C603,604		G	
	UT 45 41 00	//	0.01μF	100V	//	C611,612,617,618,621,622			
	UK 16 54 70	Electrolytic Cap.	0.47μF	50V	B P コ ン	C584,601			
	VG 28 62 00	//	100μF	6.3V	ケ ミ コ ン	C589,590			
	VG 28 63 00	//	220μF	6.3V	//	C529,530,625			
	VG 28 72 00	//	10μF	16V	//	C541,543~550,615,616,628~631,661			
	VG 28 76 00	//	100μF	16V	//	C531,532			
	VG 28 73 00	//	22μF	16V	//	C662~664			
	VG 28 77 00	//	220μF	16V	//	C561,562			
	VG 28 85 00	//	10μF	25V	//	C569,570			

*New Parts (新規部品)

RX-930

Ref. No.	Part No.	Description	部 品 名	Remarks	Common Model	Markets	ランク
	VG 28 86 00	Electrolytic Cap.	22 μ F 25V	ケ ミ コ ン	C626		
*	VG 28 88 00	//	47 μ F 25V	//	C639~642		
	VG 28 92 00	//	470 μ F 25V	//	C583		
	VG 29 05 00	//	1 μ F 50V	//	C523,524,581,609,635,636		
	VG 29 06 00	//	2.2 μ F 50V	//	C537,538		
	VG 29 09 00	//	10 μ F 50V	//	C553,554,585,586		
	VG 29 12 00	//	47 μ F 50V	//	C559,560,595,596		
	VG 29 14 00	//	220 μ F 50V	//	C563,564,602		
	VG 28 94 00	//	3300 μ F 25V	//	C613,614		△
	UJ 79 62 20	//	2.2 μ F 100V	//	C582		
	VG 19 27 00	//	1000 μ F 80V	//	C633		
*	VH 28 21 00	//	0.01F 65V	ブ ロ ッ ク ケ ミ コ ン	C619,620		△
	VG 87 55 00	//	4700 μ F 45V	//	C623,624	Inter-changeable	△
	VG 87 56 00	//	4700 μ F 45V	//	//		
	GD 90 04 70	Coil	1.7 μ H	空 心 コ イ ル	L503,504		
	VC 66 41 00	//	0.91 μ H	//	L501,502		
	VG 87 59 00	Metal Oxide Film Resistor	0.1 Ω 1W	酸 金 抵 抗	R683,684,718,719,774		△
	HL 31 62 70	//	2.7k Ω 1W	//	R623,624		
	HL 32 61 20	//	1.2k Ω 2W	//	R708,709	U,A,B,G,P	
	HL 93 22 20	//	0.22 Ω 3W	//	R637~640		△
*	Vi 01 21 00	//	0.1 Ω 2W	//	R771,772		
	HV 45 31 00	Flame Proof Carbon Resistor	1 Ω 1/4W	不 然 化 カ ー ボ ン 抵 抗	R773		
	HV 45 32 20	//	2.2 Ω 1/4W	//	R715		△
	HV 45 32 20	//	2.2 Ω 1/4W	//	R716,717	G	
	HV 45 34 70	//	4.7 Ω 1/4W	//	R633~636,649,650,679,680,687,688		△
	HV 45 33 30	//	3.3 Ω 1/4W	//	R714		
	HV 45 41 00	//	10 Ω 1/4W	//	R647,648,677,678		△
	HV 45 41 80	//	18 Ω 1/4W	//	R720		△
	HV 45 42 20	//	22 Ω 1/4W	//	R652		
	HV 45 43 30	//	33 Ω 1/4W	//	R702		
	HV 45 51 00	//	100 Ω 1/4W	//	R599,600,611,612,703,769,770		△
	HV 45 51 50	//	150 Ω 1/4W	//	R547,548		△
	HV 45 52 20	//	220 Ω 1/4W	//	R591,592,595,596,607~610		
	HV 45 52 70	//	270 Ω 1/4W	//	R593,594,627~630		△
	HV 55 53 90	//	390 Ω 1/4W	//	R631,632		△
	HV 45 55 60	//	560 Ω 1/4W	//	R625,626		△
	HV 45 61 00	//	1k Ω 1/4W	//	R568,643,644,767		△
	HV 45 61 20	//	1.2k Ω 1/4W	//	R615,616		
	HV 45 61 80	//	1.8k Ω 1/4W	//	R613,614		
	HV 45 62 20	//	2.2k Ω 1/4W	//	R619~622,673~676		△
	HV 45 64 70	//	4.7k Ω 1/4W	//	R641,642,681,682		△
	HV 45 71 00	//	10k Ω 1/4W	//	R704		△
	VB 86 12 00	Pre-set Potentiometer	B2.2k Ω	半 固 定 抵 抗	VR501,502	Inter-changeable	
	VB 86 29 00	//	B2.2k Ω	//	//		
*	VH 69 13 00	Potentiometer, Rotary	Y50k Ω × 2	ロ ー タ リ ー V R	VR504		
*	VH 31 93 00	//	BH 50k Ω × 2	//	VR503		
	iA 09 70 00	Transistor	2SA970(GR,BL)	ト ラ ン ジ ス タ ー	Q501~504,511~514,545		
	iA 10 15 21	//	2SA1015 (Y)	//	Q533,534		
	iA 11 45 00	//	2SA1145 (O,Y)	//	Q527,528,546		△
	iC 18 15 20	//	2SC1815 (Y)	//	Q519,520		△

*New Parts (新規部品)

Ref. No.	Part No.	Description	部 品 名	Remarks	Common Model	Markets	ランク
	iC : 22 : 40 : 00	Transistor	2SC2240 (GR,BL)	ト ラ ン ジ ス タ ー	Q515,516,521~524,535,536,543,544,547~550,558		
	iC : 28 : 78 : 20	//	2SC2878 (A,B)	//	Q505~510,537~542,551,559,560		
	iC : 27 : 05 : 00	//	2SC2705 (O,Y)	//	Q517,518,525,526 5A1		
	iC : 19 : 83 : 00	//	2SC1983	//	Q556,557	C	
	iX : 60 : 81 : 50	//	2SA1306 (O,Y)	//	Q531,532		
	iX : 60 : 81 : 60	//	2SC3298 (O,Y)	//	Q529,530		
	iF : 00 : 34 : 50	Diode	ISS133	ダ イ オ ー ド	D501~510,513~520,529,530,533,534,537~		
	iF : 00 : 14 : 00	//	ISS82	//	D511,512		
	VC : 39 : 83 : 00	//	ISS146	//	D527 } Inter-changeable // }		
	VC : 39 : 84 : 00	//	MA185	//			
	iF : 00 : 84 : 80	//	ISR35-100A	//	D521~524		
	iH : 00 : 11 : 30	Diode, Bridge	D5FB20	ダ イ オ ー ド ブ リ ッ ジ	D525		
	VC : 97 : 15 : 00	//	RBV-402	//	D526		
	VG : 43 : 78 : 00	Zener Diode	MTZJ5.6C	ツ ェ ナ ー ダ イ オ ー ド	D531		
	VG : 43 : 81 : 00	//	MTZJ6.2C	//	D535,536	C	
	VG : 44 : 26 : 00	//	MTZJ24C	//	D528		
	iG : 00 : 17 : 70	IC	TC4051BP	I C	IC503~507		
	iG : 06 : 55 : 10	//	NJM78L05A	I // C	IC516		
	iG : 08 : 34 : 00	//	AN7812	//	IC511,515		
	iG : 08 : 92 : 00	//	LC4066B	//	IC501,502		
	iG : 15 : 98 : 00	//	AN7912	//	TC512		
	XA : 33 : 00 : 01	//	STK4141V	//	IC517		
	XB : 24 : 73 : 01	//	μPC4570HA	//	IC508~510,518		
	XF : 63 : 5A : 00	//	AN78M09F	//	IC513		
	XF : 63 : 7A : 00	//	AN79M09F	//	IC514		
※	VH : 28 : 28 : 00	Switch, Push	8-2NS	プ ッ シ ュ ス イ ッ チ	SW501		
	KC : 00 : 19 : 40	Relay	DH24D2-OT (M)	リ レ ー	RY501,502		
	LB : 20 : 22 : 90	Pin Jack	2P	ピ ン ジ ャ ッ ク	PJ501		
	VF : 19 : 31 : 00	//	6P	//	PJ502,505		
	VF : 19 : 33 : 00	//	4P	//	PJ503,504		
	LB : 40 : 10 : 30	//	4P	//	PJ506,507		
	LB : 91 : 80 : 20	Base Pin, XH	i-Type 2P	X H ベ ー ス ピ ン	CB501		
	LB : 91 : 80 : 30	//	i-Type 3P	//	CB502,503		
	VD : 00 : 46 : 00	Base Pin, PH	i-Type 3P	P H ベ ー ス ピ ン	CB504		
	VD : 00 : 51 : 00	//	i-Type 8P	//	CB505,506		
	VD : 00 : 45 : 00	//	i-Type 2P	//	CB507		
※	VH : 44 : 92 : 00	Speaker Terminal	4P	ス ピ ー カ ー 端 子		G	
	VG : 74 : 10 : 00	//		//		U,C,A,B,P	
	LA : 00 : 20 : 00	Wrapping Terminal	i-Type P=7.5 2P	ラ ッ ピ ン グ 端 子 板			
	LA : 00 : 23 : 20	//	i-Type P=7.5 3P	//			
	LA : 00 : 21 : 40	//	i-Type P=10 2P	//			
	BA : 08 : 40 : 00	Heat Sink		放 熱 板			
	BB : 07 : 07 : 00	Ground Metal		ア ー ス 金 具			
	Ei : 33 : 00 : 86	Binding Head Tapping Screw	3×8 FCRM3-BI	バ イ ン ド タ ッ ピ ン グ ネ ジ	PACK		

※New Parts (新規部品)

Ref. No.	Part No.	Description			部 品 名	Remarks	Common Model	Markets	リンク
*	VH 29 04 00	Tuner Circuit Board			チューナシート			U,C	
*	VH 29 05 00	//			//			A,B	
*	VH 29 06 00	//			//			G	
*	VH 29 07 00	//			//			P	
	FG 21 11 00	Ceramic Cap.	10pF	50V	セラコン	C97			
	FG 21 13 30	//	33pF	50V	//	C133			
	FG 21 14 70	//	47pF	50V	//	C44			
	FG 21 21 00	//	100pF	50V	//	C70,86,219,220			
	FG 21 22 20	//	220pF	50V	//	C139,140		G	
	FG 21 24 70	//	470pF	50V	//	C28			
	FG 21 26 80	//	680pF	50V	//	C124			
	FG 21 34 70	//	4700pF	50V	//	C95,96			
	FG 24 41 00	//	0.01μF	50V	//	C4,6,7,12,18,19,45,47,48 51,52,71,87,188,189,192,216,217			
	FG 24 41 00	//	0.01μF	50V	//	C53		U,C,P	
	FG 24 42 20	//	0.022μF	50V	//	C1			
	FG 24 44 70	//	0.047μF	50V	//	C2,190			
	FU 35 21 00	Mica Cap.	100pF	500V	F E マイカコン	C99,100			
	FU 35 16 80	//	68pF	500V	//	C83			
*	UA 65 31 60	Mylar Cap.	1600pF	50V	マイラーコン	C82			
	UA 25 26 80	//	680pF	50V	//	C60,62,65			
	UA 25 31 00	//	1000pF	50V	//	C126			
*	UA 55 31 20	//	1200pF	50V	//	C63			
	UA 25 33 30	//	3300pF	50V	//	C61,64			
	UA 25 34 70	//	4700pF	50V	//	C121,122,148			
	UA 25 35 60	//	5600pF	50V	//	C129,153			
	UA 25 38 20	//	8200pF	50V	//	C135,136			
	UA 25 42 20	//	0.022μF	50V	//	C115,116			
	UA 25 42 70	//	0.027μF	50V	//	C123,127,149			
	UA 25 43 30	//	0.033μF	50V	//	C131,147			
	UA 25 44 70	//	0.047μF	50V	//	C22,125			
	UA 25 51 00	//	0.1μF	50V	//	C43,55,58			
	UA 55 51 20	//	0.12μF	50V	//	C113,114			
	FG 21 13 30	Ceramic Cap.	33pF	50V	セラコン	C49,50			
	UJ 12 91 00	Electrolytic Cap.	1000μF	10V	ケミコン	C204~206			
	UJ 13 91 00	//	1000μF	16V	//	C214			
	FM 11 62 20	//	2.2μF	50V	B P コン	C23			
	UK 16 64 70	//	4.7μF	50V	//	C21			
	FM 09 73 30	//	33μF	16V	//	C54			
	UL 46 61 00	//	1μF	50V	ローノイズケミコン	C42			
	UT 45 21 00	Polypropylene Film Cap.	100pF	100V	ポリプロコン	C11		U,C,A,B,P	
	UT 45 21 00	//	100pF	100V	//	C107,108			
	UT 45 21 20	//	120pF	100V	//	C81			
	UT 45 22 20	//	220pF	100V	//	C78			
	UT 45 31 00	//	1000pF	100V	//	C37,38			
	UT 45 31 20	//	1200pF	100V	//	C29,30		U,C,P	
	UT 45 27 50	//	750pF	100V	//	C29,30		A,B	
	UT 45 23 90	//	390pF	100V	//	C29,30		G	
	UT 46 32 70	//	2700pF	100V	//	C35,36			
	UT 45 33 90	//	3900pF	100V	//	C39,40			
	FZ 00 55 70	Electrolytic Cap.	100μF	16V	ブラックゲートコン	C170,171			
	VC 93 77 00	//	1μF	50V	//	C33,34,93,94			
	VE 94 14 00	//	47μF	63V	ケミコン	C101,102			

*New Parts (新規部品)

Ref. No.	Part No.	Description	部 品 名	Remarks	Common Model	Markets	ランク
	UM 05 81 00	Electrolytic Cap.	100 μ F 25V	ケ ミ コ ン	C175,176		
	VB 17 01 00	//	4700 μ F 5.5V	バックアップケミコン	C57		
	VG 28 73 00	//	22 μ F 16V	ケ ミ コ ン	C90,98,150		
	VG 28 72 00	//	10 μ F 16V	//	C9,13,14,16,31,32,207~209,211		
	VG 28 74 00	//	33 μ F 16V	//	C201~203		
	VG 28 75 00	//	47 μ F 16V	//	C73,111,112		
	VG 28 76 00	//	100 μ F 16V	//	C10,41,46,75,79,80,151		
	VG 28 77 00	//	220 μ F 16V	//	C221	G	
	VG 28 78 00	//	330 μ F 16V	//	C3,143		
※	VG 28 84 00	//	4.7 μ F 25V	//	C74		
※	VG 28 85 00	//	10 μ F 25V	//	C66,68,84,218		
※	VG 28 89 00	//	100 μ F 25V	//	C215		
	VG 29 00 00	//	0.1 μ F 50V	//	C145		
	VG 29 02 00	//	0.33 μ F 50V	//	C117,118,144		
	VG 29 01 00	//	0.22 μ F 50V	//	C105,106		
	VG 29 03 00	//	0.47 μ F 50V	//	C20,25		
	VG 29 05 00	//	1 μ F 50V	//	C24,26,27,56,69,72,76,88,89,92,137,138,141,142,146,152		
	VG 29 06 00	//	2.2 μ F 50V	//	C8,67,85		
	VG 29 07 00	//	3.3 μ F 50V	//	C17,119,120		
	VG 29 08 00	//	4.7 μ F 50V	//	C15,109,110		
	GE 10 04 70	AM IFT Coil		AM IFT コ イ ル	T2		
	GE 90 18 50	Inductor	39mH	固 定 イ ン ダ ク タ ー	L3,4		
	VC 21 86 00	FM Discr Coil	10.7MHz	F M 検 波 コ イ ル	T1		
	VC 36 20 00	Coil	1mH	固 定 コ イ ル	L1,2		
	VB 17 03 00	//	1 μ H	//	L5	G	
※	VH 85 51 00	//	68 μ H	//	L6		
	GE 20 05 30	Anti-Birdie Filter		アンチバーディフィルター	T3	G	
	GG 00 05 60	FM Ceramic Filter	SFE10.7MS3GHY-A	FM セラミックフィルター	CF1,2	G	
	GG 00 06 70	//	SFE10.7MMH-A	//	CF1,2	U,C,A3,P	
	VC 21 90 00	AM Ceramic Filter	SFZ450JL	AM セラミックフィルター	CF3		
	GG 00 07 50	Ceramic Resonator	CSB456F11	セラミック振動子	XL1		
	VD 82 76 00	//	4MHz	//	XL3		
	QU 00 38 00	Quartz Crystal	7.2MHz	水 晶 振 動 子	XL2		
※	VH 00 40 00	Metal Film Resistor	470 Ω	金 属 被 膜 抵 抗	R119,120		
	VH 00 58 00	//	2.7k Ω	//	R121,122		
※	VH 00 32 00	//	220 Ω	//	R115,116		
	VH 00 52 00	//	1.5k Ω	//	R123,124		
	HV 45 33 30	Flame Proof Carbon Resistor	3.3 Ω 1/4W	不燃化カーボン抵抗	R58		△
	HV 45 41 00	//	10 Ω 1/4W	//	R105,110,111		△
	HV 45 41 50	//	15 Ω 1/4W	//	R220,406		△
	HV 45 43 30	//	33 Ω 1/4W	//	R3	U,C,A3,P	△
	HV 45 34 70	//	4.7 Ω 1/4W	//	R103,104,407		△
	HV 45 51 00	//	100 Ω 1/4W	//	R97		△
※	VB 86 18 00	Pre-set Potentiometer	B47k Ω	半 固 定 抵 抗	VR1,2		
	VB 86 15 00	//	B10k Ω	//	VR3		
※	VH 32 57 00	Potentiometer with Motor	Y100k Ω ×4	モ ー タ ー 付 V R	VR100		
	VG 80 69 00	Rotary Potentiometer	特16k Ω ×2	ロ ー タ リ ー V R	VR101		
	VG 80 70 00	//	特20k Ω ×2	//	VR102		
	VG 80 71 00	//	MN30k Ω	//	VR103		
※	VH 15 57 00	//	特30k Ω ×2 B 30k Ω ×2	//	VR104		

※New Parts (新規部品)

RX-930

Ref. No.	Part No.	Description	部 品 名	Remarks	Common Model	Markets	ランク
	iA 09:33:70	Transistor	2SA933S (Q,R)	トランジスター	Q3,9,45		
	iA 11:15:10	//	2SA1115 (E,F)	//	//		
	iX 60:31:70	//	2SA1310 (R,S,T)	//	//		
	iC 17:40:70	//	2SC1740S (S,R)	//	Q4~6,8, 100~102		
	iC 26:03:20	//	2SC2603 (E,F)	//	//		
	iX 60:31:80	//	2SC3312 (R,S,T)	//	//		
	iC 05:35:40	//	2SC535 (A,B,C)	//	Q1,2		
	iA 09:34:00	//	2SA934 (P,Q,R)	//	Q7		
	iF 00:34:50	Diode	ISS133	ダイオード	D1,2,4,5,16,17,31, 401~405		
	VG 43:78:00	Zener Diode	MTZJ5.6C	ツェナーダイオード	D3,6		
	VG 43:93:00	//	MTZJ9.1C	//	D200		
	iF 00:42:70	LED	SLR-55URC3H	L E D	D24		
	iF 00:87:30	//	SLR-34URC3H3	//	D30		
	iG 15:81:00	IC	LA3401	I C	IC2		
	iG 03:75:00	//	MN3101	//	IC105		
	XA 07:00:01	//	μPD4052BC	//	IC204		
	XA 54:90:01	//	LB1294	//	IC6		
	XC 52:0A:00	//	μPC4570C	//	IC100		
	XB 24:73:01	//	μPC4570HA	//	IC101~103		
	XB 76:00:01	//	LA1266	//	IC1		
	XD 38:60:01	//	LA2730	//	IC107		
	XE 38:70:01	//	μPC1571C	//	IC106		
	XB 81:80:01	//	LM7000N	//	IC3		
	XC 10:30:01	//	MN3007Y	//	IC104		
	XD 52:40:01	//	LA7952	//	IC201~203		
	XF 36:9C:00	//	LC6554H-4084	//	IC4		
	XF 55:7A:00	//	TA7291S	//	IC5		
	VF 92:65:00	Remote Control Receptor Unit	GPIU501X	リモコン受光ユニット	U2		
	VE 32:73:00	Switch	KHH-MA901	タクトスイッチ	SW401~416		
	VF 54:12:00	Slide Switch		スライドスイッチ	SW1	P	
*	VH 27:33:00	Remote Switch		リモートスイッチ	SW100		
	VG 80:68:00	Switch, Push	4-2	プッシュスイッチ			
*	VH 28:27:00	Rotary Switch	SRRS18	ロータリースイッチ			
	VC 21:93:00	FM Front-end Pack	TFFG1U117A	FM フロントエンド	PK1	U,C,A,B,P	
	VE 15:58:00	//	TFFG3E132A	//	PK1	G	
	VE 36:72:00	AM Coil Pack		AM コイルパック	U1		
	VG 82:80:00	Pin Jack	2P	ピンジャック	PJ201~203		
	LB 10:07:30	Mini Jack		ミニジャック	JK201		
	LB 60:83:90	ST Connector Socket		ST コネクターソケット	JK202		
	VD 00:45:00	Base Pin, PH	i-Type 2P	P H ベースピン	CB1,18		
	VD 00:46:00	//	i-Type 3P	//	CB2~10		
	VD 00:47:00	//	i-Type 4P	//	CB11		
	VD 00:48:00	//	i-Type 5P	//	CB12,13		
	VD 00:49:00	//	i-Type 6P	//	CB14		
	VD 00:53:00	//	i-Type 10P	//	CB16,17		
	VD 00:50:00	//	i-Type 7P	//	CB15		

* New Parts (新規部品)

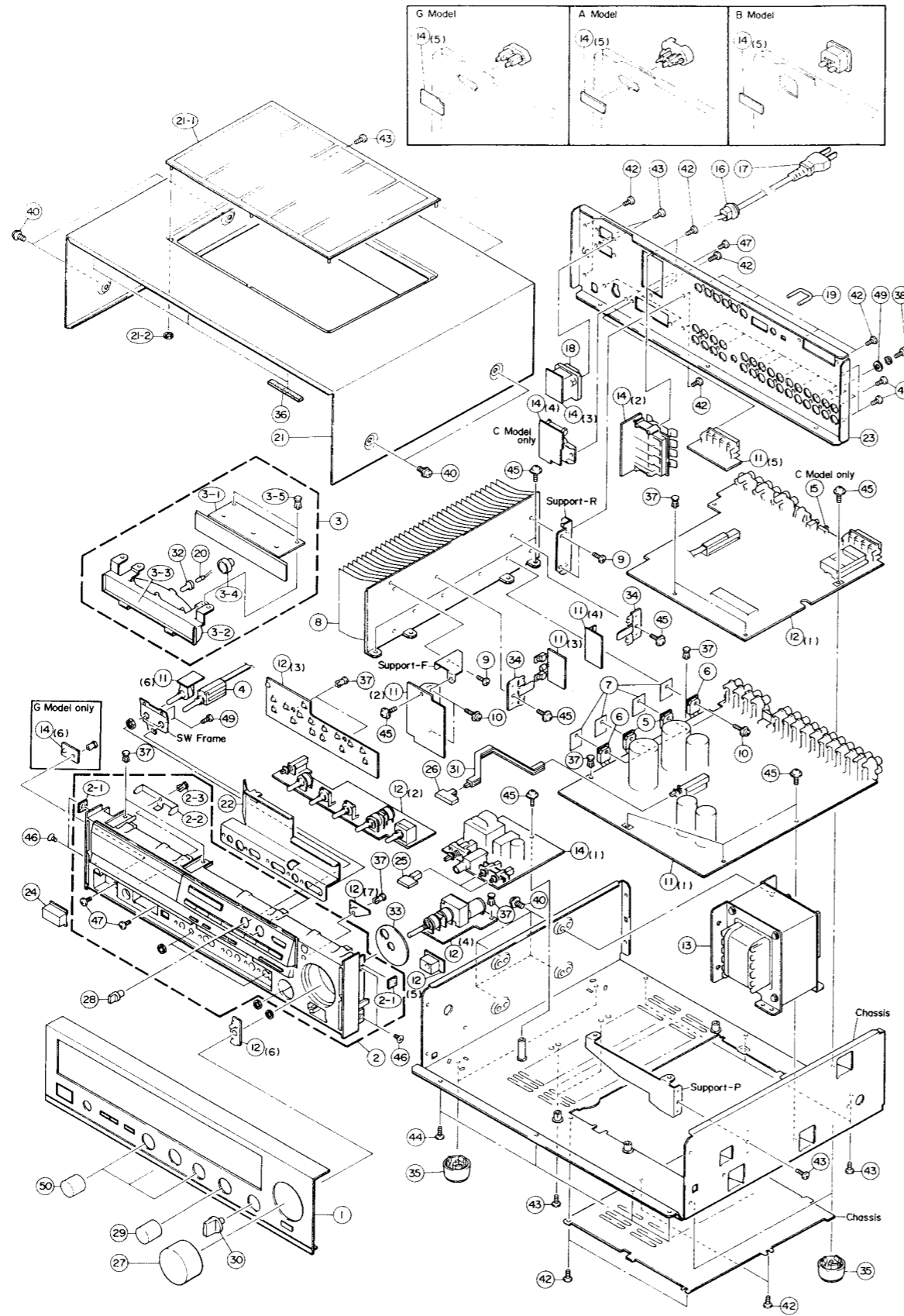
Ref. No.	Part No.	Description	部 品 名		Remarks	Common Model	Markets	ランク
	VE 36 50 00	Antenna Terminal	3P	アンテナ端子			G	
	VE 36 52 00	//	4P	//			U,C,A,B,P	
	BB 06 95 10	Ground Plate		ランド金具				
	AA 63 12 40	Shield Plate		シールドプレート				
	VH 44 68 00	Sub Circuit Board		サブシート			U,C	
	VH 44 69 00	//		//			A,B	
	VH 44 70 00	//		//			G	
	VH 44 72 00	//		//			P	
	Fi 41 41 00	Ceramic Cap.	0.01 μ F	VA-I セラコン	C317	} Inter-changeable		
	Fi 51 41 00	//	0.01 μ F	DNS //	//			
	Fi 41 41 00	//	0.01 μ F	VA-I //	C319		U,C,P	
	VE 17 92 00	//	0.01 μ F	400V 認定コン	C319		A,B,G	
※	Vi 13 23 00	//	4700pF	VA-I 400V //	C320~322		G	
	FG 21 34 70	//	4700pF	50V セラコン	C305~310		G	
	Fi 55 41 00	//	0.01 μ F	50V //	C316,318		G	
	UT 45 34 70	Polypropylene Film Cap.	4700pF	100V ポリプロコン	C301~304		G	
	UJ 14 84 70	Electrolytic Cap.	470 μ F	25V ケミコン	C315		U,C,A,B,G	
	UW 67 84 70	//	470 μ F	63V //	C315		P	
	VG 28 72 00	//	10 μ F	16V //	C312			
	VG 28 72 00	//	10 μ F	16V //	C313,314		P	
	VG 28 71 00	//	470 μ F	10V //	C311			
	XC 08 20 01	Sub Power Transformer		サブ電源トランス	T301		P	
	XC 08 30 01	//		//	T301		U,C	
	XC 08 40 01	//		//	T301		A,B,G	
	HG 30 92 20	Carbon Film Resistor	2.2M Ω	1/2W カーボン抵抗	R311		U,C	
	HL 32 52 70	Metal Oxide Film Resistor	270 Ω	2W 酸金抵抗	R301,302			
	HV 45 32 20	Flame Proof Carbon Resistor	2.2 Ω	1/4W 不燃化カーボン抵抗	R303,304			
	HV 45 44 70	//	47 Ω	1/4W //	R310			
	iC 17 40 00	Transistor	2SC1740 (S,R)	トランジスター	Q300	} Inter-changeable		
	iC 26 03 10	//	2SC2603 (E,F)	//	//			
	iX 60 31 80	//	2SC3312 (R,S,T)	//	//			
	iC 17 40 00	//	2SC1740 (S,R)	//	Q304	} Inter-changeable	P	
	iC 26 03 10	//	2SC2603 (E,F)	//	//		P	
	iX 60 31 80	//	2SC3312 (R,S,T)	//	//		P	
	iC 28 78 20	//	2SC2878 (A,B)	//	Q301			
	iC 25 77 00	//	2SC2577 (O,P,Y)	//	Q303			
	iF 00 84 80	Diode	ISR35-100A	ダイオード	D305			
	VG 43 81 00	Zener Diode	MTZJ6.2C	ツェナーダイオード	D301			
	VG 44 04 00	//	MTZJ13A	//	D304		P	
	VG 44 04 00	//	MTZJ13A	//	D302			
	iF 00 87 30	LED	SLR-34URC3H3	L E D	D303		G	
	KA 80 45 50	Switch, Push	2-2	プッシュスイッチ	SW302		U,C,A,B,P	
	KA 80 44 70	//	2-2	//	SW302		G	
	VG 60 40 00	//	2連	//	SW301			

※New Parts (新規部品)

RX-930

RX-930

EXPLODED VIEW



EXPLODED VIEW PARTS

Ref. No.	Part No.	Description	部品名	Remarks	Common Model	Markets	ランク
※ 1	VH 28 87 00	Front Panel Unit	フロントパネルユニット	Black		U,C,A,B,P	
※ //	VH 28 88 00	//	//	Black		G	
※ //	VH 28 89 00	//	//	Titan		U,C,A,B,P	
※ //	VH 28 90 00	//	//	Titan		G	
※ 2	VH 28 91 00	Sub Chassis Unit	サブシャーシユニット	Black			
※ //	VH 28 92 00	//	//	Titan			
※ 2-1	VH 62 55 00	Damper	ダンパー				
2-2	VH 08 37 00	Ground Plate	アースプレート				
2-3	CB 60 56 20	Plastic Rivet	プラスチックリベット				
※ 3	VH 23 82 00	LCD Unit	LCDユニット	Black			
※ //	VH 23 83 00	//	//	Titan			
※ 3-1	VG 78 65 00	LCD Indicator Circuit Board	LCD表示シート	Black			
※ //	VH 23 75 00	//	//	Titan			
3-2	VG 43 31 00	Reflector, LCD	リフレクターLCD			RX-330	
3-3	VG 43 33 00	Sheet, LCD	シートLCD			RX-530	
3-4	VF 44 45 00	Lamp Cap	ランプキャップ				
3-5	CB 60 56 20	Plastic Rivet	プラスチックリベット				
※ 4	VH 28 29 00	Rotary Switch Controller	リモートロータリ-SW操作部				
5	iX 60 64 60	Transistor	トランジスター	2SA1492(O,Y)		Q553,554	
6	iX 60 64 70	//	//	2SC3856(O,Y)		Q552,555	
7	VB 43 50 00	Sheet	放熱シート				
※ 8	VG 93 76 00	Radiator	ラジエター				
9	Ei 33 00 86	Binding Head Tapping Screw	3×8 FCRM3-BI	バインドタッピングネジ	PACK		
10	EX 60 09 20	Cup Tight Screw	3×12 FCM3-BI	カップBタイトネジ			
※ 11	VH 28 97 00	Main Circuit Board	メインシート			U,A,B,P	
※ //	VH 28 98 00	//	//			G	
※ //	VH 69 79 00	//	//			C	
※ 12	VH 29 04 00	Tuner Circuit Board	チューナシート			U,C	
※ //	VH 29 05 00	//	//			A,B	
※ //	VH 29 06 00	//	//			G	
※ //	VH 29 07 00	//	//			P	
※ 13	XG 15 1A 00	Power Transformer	電源トランス			U,C	
※ //	XG 15 2B 00	//	//			A	
※ //	XG 15 4B 00	//	//			B	
※ //	XG 15 5B 00	//	//			G	
※ //	XG 15 3A 00	//	//			P	
※ 14	VH 44 68 00	Sub Circuit Board	サブシート			U,C	
※ //	VH 44 69 00	//	//			A,B	
※ //	VH 44 70 00	//	//			G	
※ //	VH 44 72 00	//	//			P	
※ 15	VH 58 39 00	Slide Switch	S-J0950	スライドスイッチ		C	
16	CB 62 01 90	Cord Stopper	CM-22B	コードストッパー		A,B,G,P	
//	CB 62 02 00	//	CM-22C	//		U,C	
17	MG 00 22 20	AC Power Cord	10A 125V	電源コード		U,C	
//	MG 00 23 10	//	7.5A 250V	//		A	
//	MG 00 23 30	//	300/300V	//		B	
//	MG 00 23 20	//	2.5A 250V	//		G	
//	MG 00 16 30	//	6A 250V	//		P	
18	VC 62 61 00	AC Outlet	2P AS	ACアウトレット		A	
//	VC 62 68 00	//	2P CEE	//		G	
//	VC 62 70 00	//	2P BS	//		B	
19	LB 10 11 10	Short Plug		ショートプラグピンジャック用			

※New Parts (新規部品)

Ref. No.	Part No.	Description	部品名	Remarks	Common Model	Markets	ランク
* 20	VH 60 71 00	Lamp	115mA 14.5V ランプコネクタ付				
* 21	VG 93 71 00	Top Cover	ト ッ プ カ バ ー	Black		U,C,A,P	
* //	VG 93 72 00	//	//	Titan		U,C,A,P	
* //	VH 79 17 00	//	//	Black		B,G	
* //	VH 79 18 00	//	//	Titan		B,G	
21-1	VH 55 48 00	Gril	放 熱 グ リ ル	Black		B,G	
//	VH 55 50 00	//	//	Titan		B,G	
21-2	VH 59 79 00	Nat (CSTW-5) φ5	FCM3-BI ス ピ ー ド ナ ッ ト				
22	VG 64 66 00	Frame, Shield	シ ー ル ド フ レ ー ム		RX-330		
* 23	VG 93 66 00	Rear Panel	リ ヤ バ ネ ル			U	
* //	VG 93 67 00	//	//			P	
* //	VG 93 68 00	//	//			G	
* //	VG 93 69 00	//	//			A	
* //	VG 93 70 00	//	//			B	
* //	VH 60 29 00	//	//			C	
24	CB 66 08 10	Button	ボ タ ン	Black POWER	AX-900		
//	VE 54 43 00	//	//	//			
25	VG 42 93 00	//	1/6/25	Black	RX-330		
//	VG 42 96 00	//	1/6/25	Titan			
26	CB 66 07 90	//	3×14	Black	AX-900		
//	VH 64 90 00	//	3×14	Titan			
27	VG 42 86 00	Knob	φ48 LED ノ ブ	Black VOLUME	RX-730		
//	VG 42 88 00	//	φ48 LED	Titan //			
28	VC 40 57 00	//	//	Black	RX-700		
//	VE 94 10 00	//	//	Titan			
29	CB 63 82 60	//	φ20	Black LOUDNESS	R5		
//	VG 93 86 00	//	φ20	Titan //	RX-830		
* 30	VG 93 87 00	//	φ20	Black REC OUT			
* //	VG 93 88 00	//	φ20	Titan //			
31	VG 42 98 00	Rod	ロ ッ ド		RX-330		
32	VG 65 04 00	Ring	リ ン グ		RX-330		
33	VH 08 78 00	Shield Plate	シ ー ル ド プ レ ー ト		RX-330		
34	VC 63 78 00	Transistor Pusher	T R 押 え				
35	CB 62 07 30	Leg	脚				
* 36	VH 73 74 00	Damper	ダ ン パ ー				
37	CB 60 56 20	Plastic Rivet	プ ラ ス チ ッ ク リ ベ ッ ト				
38	AA 62 73 10	Ground Terminal	STG3×13 G N D タ ー ミ ナ ル				
39	EV 90 13 60	Plain Washer	3.6×10×0.8 FNM3-3G 平 座 金				
40	EX 60 10 80	Cup Screw	4×8 FCM3-BI カ ッ プ 小 ネ ジ				
41	EX 60 10 60	BW Head Screw	4×8 GRAY B W ヘ ッ ド 小 ネ ジ	Titan			
42	EZ 00 04 60	Tapping Head Screw	3×8 FCM3-BI ホ ン テ ィ ン グ タ ッ ピ ン グ ネ ジ				
43	Ei 33 00 86	Binding Head Tapping Screw	3×8 FCRM3-BI バ イ ン ド タ ッ ピ ン グ ネ ジ	PACK			
44	EX 60 03 10	//	3×8 FCRM3-BI バ イ ン ド P タ イ ト ネ ジ				
45	EK 03 00 60	BW Head Tapping Screw	3×8 ZMC2-Y B W ヘ ッ ド タ ッ ピ ン グ ネ ジ	2種ミソ			
46	EO 33 00 66	Flat Head Tapping Screw	3×6 ZMC2-BI 皿 タ ッ ピ ン グ ネ ジ	PACK			
47	ED 33 00 66	Binding Head Screw	3×6 FCRM3-BI バ イ ン ド 小 ネ ジ	PACK			
48	EZ 00 13 50	Cup Tight Screw	3×14 FCRM3-BI カ ッ プ B タ イ ト ネ ジ				
49	EN 32 00 10	Pan Head Tapping Screw	2.6×8 FCM3-BI ナ ヘ タ ッ ピ ン グ ネ ジ				
50	CB 63 82 40	Knob	φ20 ノ ブ	Black BASS TREBLE BALANCE			
//	VG 93 85 00	//	φ'	Titan //			
	CB 06 92 51	Binding Tie	BK-1 イ ン シ ュ ロ ッ ク タイ	PACK			

* New Parts (新規部品)

Ref. No.	Part No.	Description	部品名	Remarks	Common Model	Markets	ランク
		Accessories	付 属 品				
	VG 80 49 00	75Ω FM Antenna	F M ア ン テ ナ			U,C,A,B,P	
	VG 80 50 00	//	//			G	
	VA 94 59 00	ST Connector	6P S T コ ネ ク タ ー				
	Mi 08 17 80	Mini Plug Cord	1.2m ミ ニ プ ラ グ コ ー ド				
	VC 62 63 00	Connector Plug	2P コ ネ ク タ ー プ ラ グ			B	
* VG 94 17 00	Remote Control Transmitter	Learning	リ モ コ ン ト ラ ン ス ミ ッ タ ー			U,C,A,B,P	
* VG 80 84 00	//	RS	//			G	
		Dry Cell	AA R6P 単 3 乾 電 池			U,C,A,B,P	
		//	AAA R03 単 4 乾 電 池			G	
	VE 36 62 00	Loop Antenna	ル ー プ ア ン テ ナ ス タ ン ド 付				
	VH 44 79 00	Accessories Ass'y (Label)	付 属 品 Ass'y (ラ ベ ル)			U,C,A,B,P	

* New Parts (新規部品)

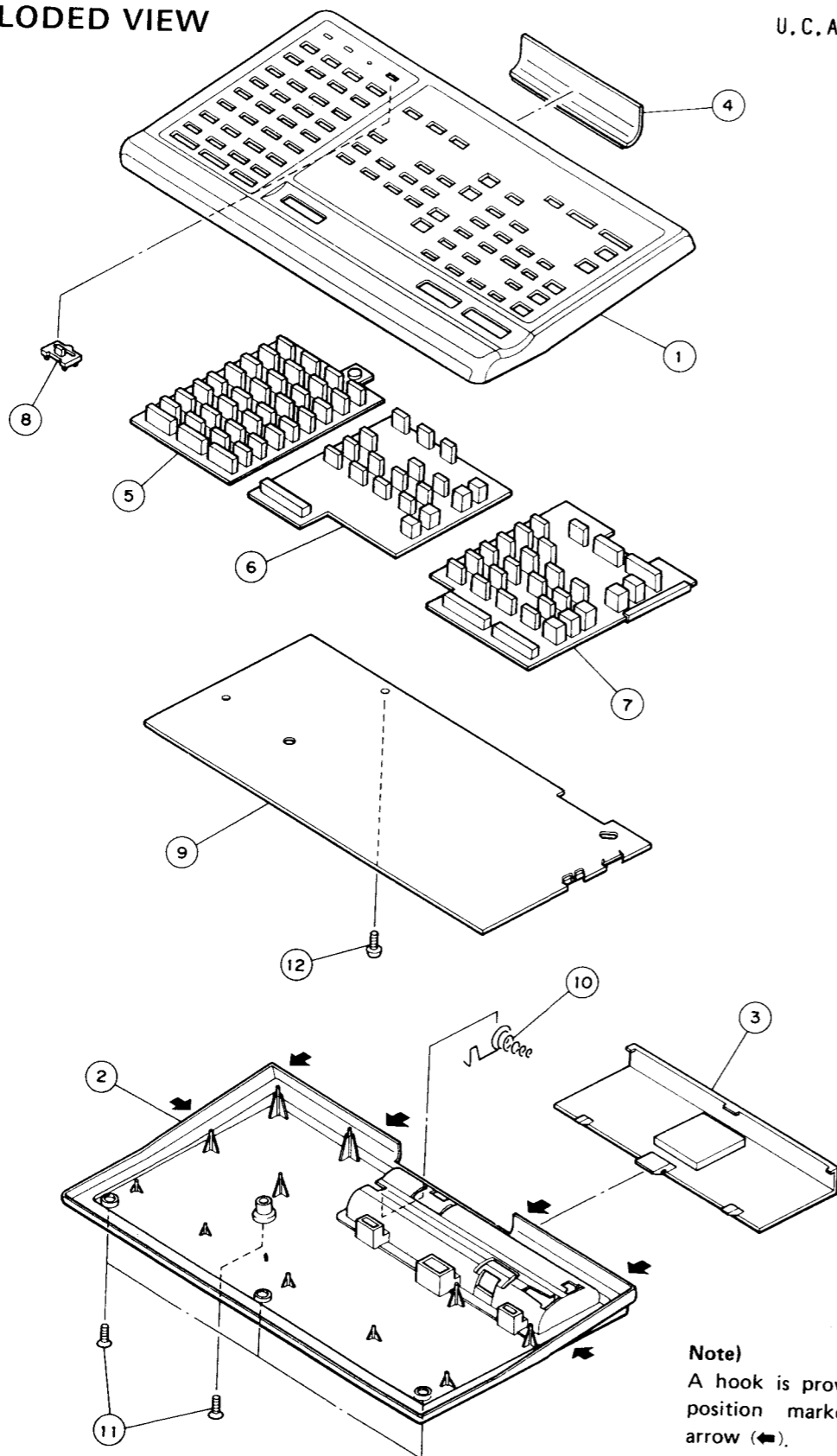
REMOTE CONTROL TRANSMITTER

PARTS LIST

U.C.A.B.P Models

EXPLODED VIEW

U.C.A.B.P Models

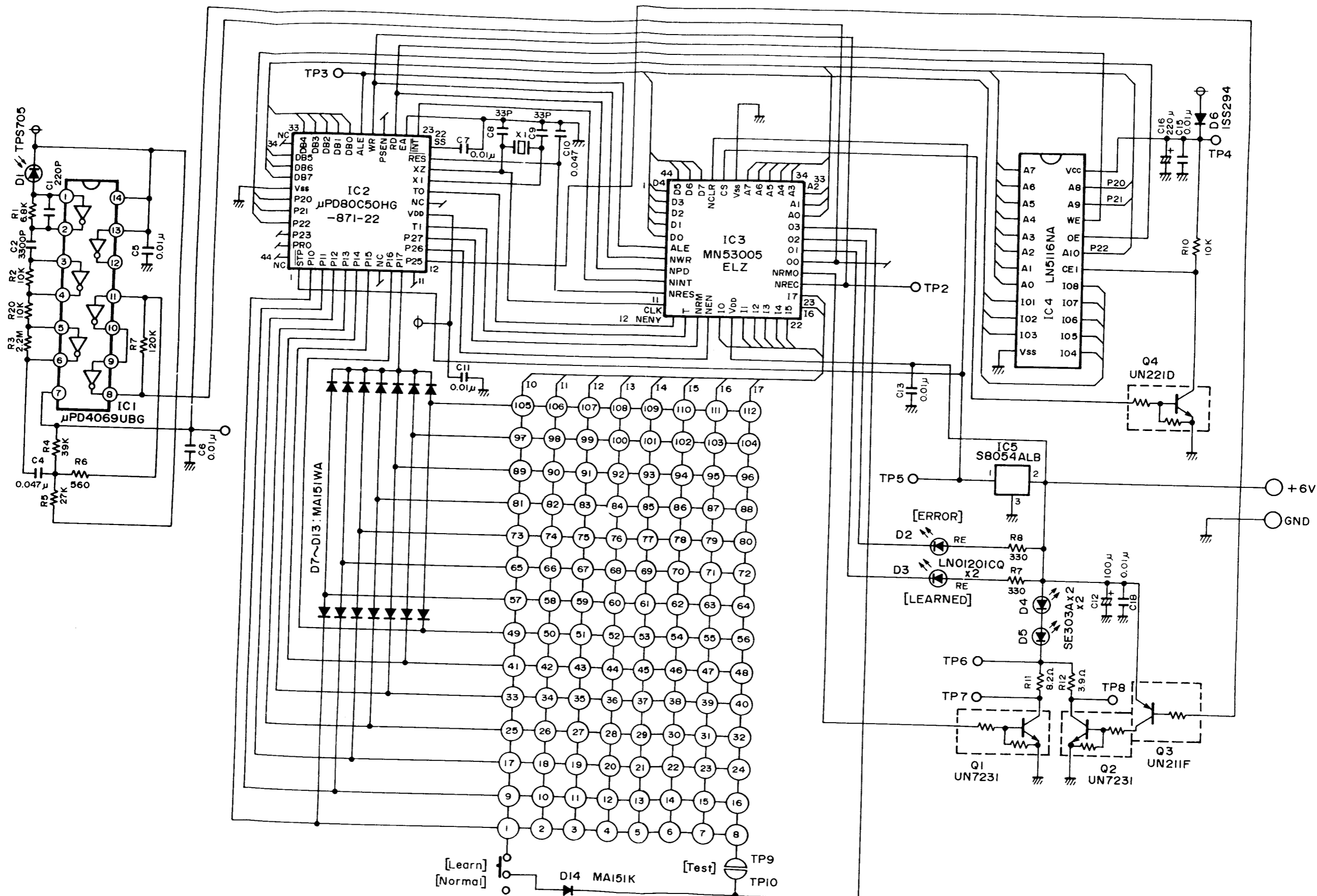


Note)
A hook is provided at each position marked with an arrow (↔).

*New Parts (新規部品) NR

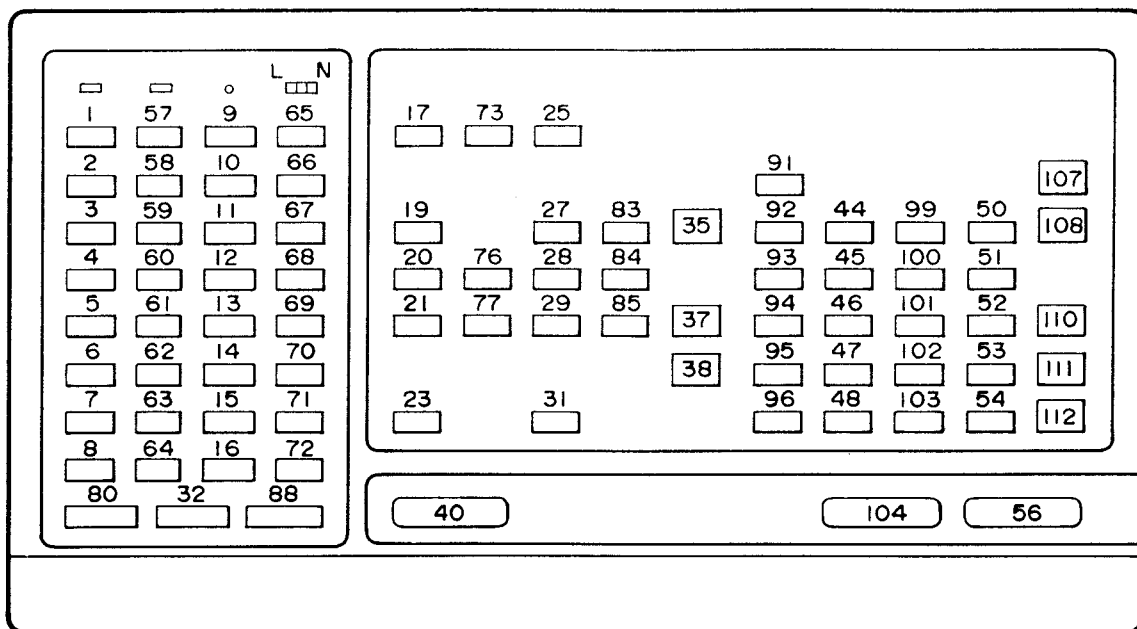
Ref. No.	Part No.	Description	部品名	Remarks	Common Model	Markets	ランク
	VG : 94 : 17 : 00	Remote Control Transmitter					
*	1	Case (A) Ass'y	リモートコントロールトランスミッター				
*	2	Case (B)	上 ケ ー ス Ass'y				
	3	Lid	下 ケ ー ス		UR66CS200		
	4	Filter, Smoke	電 池 蓋		UR66EC201		
	5	Rubber, Contact (A)	ス モ ー ク 板		UR66SB257		
*	6	" (B)	ゴ ム 接 点 (A)		UR66CT202		
*	7	"	" (B)		UR66CT203A		
	8	Knob	"		UR66CT204B		
	9	P.C. Board Ass'y	ツ マ ミ		UR66VTM83		
	10	Terminal, Battery	プ リ ン ト 基 板 Ass'y		UR66VPB94		
	11	Flat Head Tapping Screw	共 通 電 極 板		UR66TD239		
	12	Pan Head Tapping Screw	皿 タ ッ ピ ン グ ネ ジ	PACK	XTS2+6GFZ		
			ナベタッピングネジ	PACK	XTB+5GFZ		
	NX : 60 : 39 : 20	P.C. Board Ass'y	プ リ ン ト 基 板 Ass'y				
	iX : 61 : 22 : 80	Photo Diode	TPS705	フ ォ ト ダ イ オ ー ド	D1	UR66VPB77	
	iX : 61 : 42 : 80	LED (Red)	LN01201CQ	L E D	D2,3		
	iX : 61 : 22 : 90	LED	SE303AS	赤 外 線 L E D	D4,5		
	QX : 60 : 02 : 70	Ceramic Resonator	CSA737MTTF	セ ラ ミ ッ ク 発 振 子	X1		
	UJ : 11 : 81 : 00	Electrolytic Cap	100μF 6.3V	ケ ミ コ ン	C12	ECEA1AU1011	
	UJ : 11 : 82 : 20	"	220μF 6.3V	"	C16	ECEA1AU2211	
	LX : 60 : 25 : 30	Terminal, Battery		電 極 板	-	UR66TD209	
	LX : 60 : 25 : 40	"		"	+	UR66TD208	

SCHEMATIC DIAGRAM



* Schematic diagram is subject to change without notice.

U. C. A. B. P Models



Key No.	CONTROL CODE	FUNCTION	FUNCTION							
			RX-1130	RX-930	RX-830	AVC-70	AV-55	MRX-90M EX	MRX-90M J	
1~16		LEARNING	○	○	○	○	○	○	○	
17	7A-5C	EQ PRESET DOWN	○	○	○	○	○	○	○	
18	7A-1E	—	—	—	—	—	—	—	—	
19	7C-01	LD OPEN/CLOSE	○	○	○	○	○	○	○	
20	7C-02	LD CHAPTER" - "	○	○	○	○	○	○	○	
21	7C-0A	LD STILL ◀	○	○	○	○	○	○	○	
22	—	—	—	—	—	—	—	—	—	
23	7A-57	SLEEP	○	○	○	○	○	○	○	
24	—	—	—	—	—	—	—	—	—	
25	7A-5A	EQ ON/FLAT	○	○	○	○	○	○	○	
26	—	—	—	—	—	—	—	—	—	
27	7C-04	LD PAUSE/STOP	○	○	○	○	○	○	○	
28	7C-06	LD SEARCH ◀◀	○	○	○	○	○	○	○	
29	7C-12	LD SOUND	○	○	○	○	○	○	○	
30	—	—	—	—	—	—	—	—	—	
31	7A-1C	MUTING	○	○	○	○	○	○	○	
32	—	LEARNING	○	○	○	○	○	○	○	
33	—	—	—	—	—	—	—	—	—	
34	7A-55	—	—	—	—	—	—	—	—	
35	7A-17	LD	○	○	○	○	○	○	○	
36	7A-54	—	—	—	—	—	—	—	—	
37	7A-0F	VCR 1	○	○	○	○	○	○	○	
38	7A-13	VCR 2	○	○	○	○	○	○	○	
39	—	—	—	—	—	—	—	—	—	
40	7A-1F	POWER	○	○	○	○	○	○	○	
41	7A-52	DELAY TIME UP	○	○	○	○	○	○	○	
42	7A-58	MODE UP	○	○	○	○	○	○	○	
43	—	—	—	—	—	—	—	—	—	
44	7A-0A	CD SKIP ▶▶	○	○	○	○	○	○	○	
45	7A-0C	CD SEARCH ▶▶	○	○	○	○	○	○	○	
46	7A-11	TUNER PRESET DOWN	○	○	○	○	○	○	○	
47	7A-07	TAPE DIR A	○	○	○	○	○	○	○	
48	7A-01	TAPE ◀◀	○	○	○	○	○	○	○	
49	—	—	—	—	—	—	—	—	—	
50	7A-4F	CD DISC UP	○	○	○	○	○	○	○	
51	7A-08	CD PLAY	○	○	○	○	○	○	○	
52	7A-12	P1-8/P9-18	○	○	○	○	○	○	○	
53	7A-40	TAPE DIR B	○	○	○	○	○	○	○	
54	7A-Q2	TAPE ▶▶	○	○	○	○	○	○	○	
55	—	—	—	—	—	—	—	—	—	
56	(7A-1A)	(VOLUME UP)	○	○	○	○	○	○	○	

Key No.	CONTROL CODE	FUNCTION	FUNCTION							
			RX-1130	RX-930	RX-830	AVC-70	AV-55	MRX-90M EX	MRX-90M J	
57~72		LEARNING	○	○	○	○	○	○	○	
73	7A-5B	EQ PRESET UP	○	○	○	○	○	○	○	
74	7A-1D	—	—	—	—	—	—	—	—	
75	—	—	—	—	—	—	—	—	—	
76	7C-03	LD CHAPTER" + "	○	○	○	○	○	○	○	
77	7C-0B	LD STILL ▶▶	○	○	○	○	○	○	○	
78	—	—	—	—	—	—	—	—	—	
79	—	—	—	—	—	—	—	—	—	
80	—	LEARNING	○	○	○	○	○	○	○	
81	—	—	—	—	—	—	—	—	—	
82	—	—	—	—	—	—	—	—	—	
83	7C-05	LD PLAY	○	○	○	○	○	○	○	
84	7C-07	LD SEARCH ▶▶	○	○	○	○	○	○	○	
85	7C-13	LD DISPLAY	○	○	○	○	○	○	○	
86	—	—	—	—	—	—	—	—	—	
87	—	—	—	—	—	—	—	—	—	
88	—	LEARNING	○	○	○	○	○	○	○	
89	7A-53	DELAY TIME DOWN	○	○	○	○	○	○	○	
90	7A-59	MODE DOWN	○	○	○	○	○	○	○	
91	7A-0E	PHONO PLAY/CUT	○	○	○	○	○	○	○	
92	7A-0B	CD SKIP ◀◀	○	○	○	○	○	○	○	
93	7A-0D	CD SEARCH ◀◀	○	○	○	○	○	○	○	
94	7A-06	TAPE DECK A/B	○	○	○	○	○	○	○	
95	7A-04	TAPE REC/PAUSE	○	○	○	○	○	○	○	
96	7A-05	TAPE REC MUTE	○	○	○	○	○	○	○	
97	7A-5F	REAR LEVEL DOWN	○	○	○	○	○	○	○	
98	—	—	—	—	—	—	—	—	—	
99	7A-50	CD DISC DOWN	○	○	○	○	○	○	○	
100	7A-09	CD PAUSE/STOP	○	○	○	○	○	○	○	
101	7A-10	TUNER PRESET UP	○	○	○	○	○	○	○	
102	7A-00	TAPE PLAY	○	○	○	○	○	○	○	
103	7A-03	TAPE STOP	○	○	○	○	○	○	○	
104	(7A-1B)	(VOLUME DOWN)	○	○	○	○	○	○	○	
105	7A-56	SURROUND ON/OFF	○	○	○	○	○	○	○	
106	7A-5E	REAR LEVEL UP	○	○	○	○	○	○	○	
107	7A-14	PHONO	○	○	○	○	○	○	○	
108	7A-15	CD	○	○	○	○	○	○	○	
109	—	—	—	—	—	—	—	—	—	
110	7A-16	TUNER	○	○	○	○	○	○	○	
111	7A-18	TAPE 1	○	○	○	○	○	○	○	
112	7A-19	TAPE 2	○	○	○	○	○	○	○	

RX-930

IC DATA

U.C.A.B.P Models

IC2 : μ PD80C50HG-871-22
MICRO COMPUTER

Pin No.	Pin Name	Function	
1	STOP	Microcomputer hard stop	
2	P10	KEY SCAN OUTPUT	
3	P11		
4	P12		
5	P13		
6	P14		
7	P15		
8	NC		N.C.
9	P16		
10	P17		
11	P24	SRAM OUTPUT (A12)	
12	P25	Base band waveform output	
13	P26	Data bus opened to GATE ARRAY at LOW and to SRAM at High	
14	P27	Modulated waveform envelope output	
15	T1	ALE of clock input	
16	VDD	+6V	
17	NC	N.C.	
18	TO	Light receiving waveform envelope input	
19	X1	Main clock (7.36MHz)	
20	X2		
21	RES	RESET INPUT	
22	SS	Single step	
23	INT	Both edges of light receiving envelope or key scan interrupt	
24	EA	Internal ROM at Low and external ROM at High	
25	RD	Read timing output to GATE ARRAY and SRAM	
26	PSEN	N.C.	
27	WR	Write timing output to GATE ARRAY and SRAM	
28	ALE	Address fetch timing output	
29	DB0	Data exchange with GATE ARRAY, SRAM	
30	DB1		
31	DB2		
32	DB3		
33	DB4		
34	NC		
35	DB5		
36	DB6		
37	DB7		
38	Vss	GND	
39	P20	(A8)	
40	P21	SRAM OUTPUT (A9)	
41	P22	(A10)	
42	P23	(A11)	
43	PRO	N.C.	
44	NC		

U. C. A. B. P Models

IC3 : MN53005ELZ
GATE ARRAY (Learning Disital Processing)

Pin No.	Pin Name	Function
1	D4	Data exchange with microcomputer
2	D3	
3	D2	
4	D1	
5	D0	
6	ALE	Address latch timing input from microcomputer
7	NWR	Data input timing input from microcomputer
8	NRD	Data output timing input from microcomputer
9	NINT	Interrupt output to microcomputer
10	NRES	Reset output to microcomputer
11	CLK	Main clock (7.36MHz)
12	NENV	Light receiving waveform envelope output
13	T	ALE of clock output
14	NRM	Modulated waveform envelope input
15	NEN	Data bus opened to GATE ARRAY at Low and to SRAM at High
16	IO	KEY SCAN INPUT
17	V _{DD}	+6V
18	I1	KEY SCAN INPUT
19	I2	
20	I3	
21	I4	
22	I5	
23	I6	
24	I7	
25	NREC	Receiving waveform input
26	NRMO	Modulated waveform output
27	O0	Pre-amplifier control
28	O1	"LEARNED" Control
29	O2	"ERROR" Control
30	O3	Slide sw SCAN OUTPUT
31	A0	SRAM address
32	A1	
33	A2	
34	A3	
35	A4	
36	A5	
37	A6	
38	A7	
39	V _{SS}	GND
40	CS	SRAM \overline{CS} control output
41	NCLR	RESET INPUT
42	D7	Data exchange with microcomputer
43	D6	
44	D5	

■ Trouble-shooting

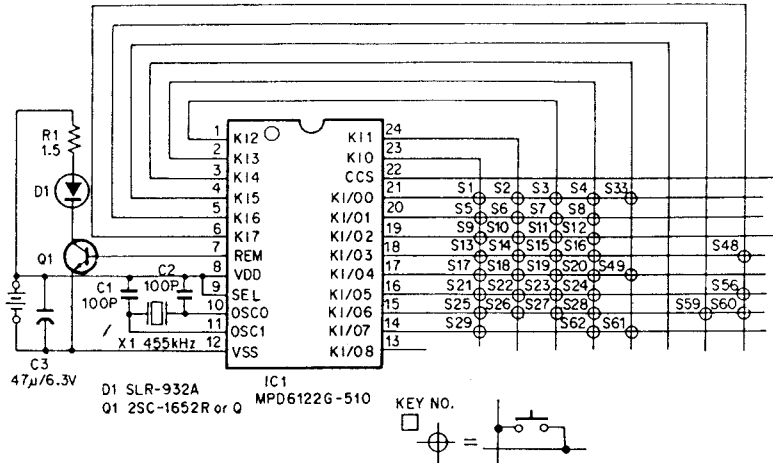
Symptom	Possible cause
Nothing operates even when power is turned "ON".	No.1 pin of IC5 (Reset IC) is left at "L". X1 (Oscillator) is open.
When signal is transmitted in NORM mode, "LEARNED" indicator lights only for a moment and goes OFF immediately.	C12 (100 μ F bypass capacitor) is open. R11, R12 is shorted.
Indicator lights but signal is not transmitted.	D4, D5 (Infrared LED) is open. Q1, Q2, Q3 is open or shorted. R11, R12 is open.
Indicator lights when power is turned "ON" and nothing more is done.	Carbon contact point is shorted.
Learned data is erased immediately when battery is removed.	C16 (220 μ F) is open. D6 is open or shorted. Q4 is shorted.
Learning error occurs.	Each terminal of SRAM is shorted. Q4 is open or shorted.
Learning transmitting code is faulty.	Q4 is open or shorted. Each terminal of SRAM is shorted.

- < power is turned "ON" > in above table actually means that battery is inserted.
- Where said as "that is open or shorted", it is possible that part is damaged.

RX-930

SCHEMATIC DIAGRAM

G Model



KEY No.	DATA CODE								FUNCTION
	D0	D1	D2	D3	D4	D5	D6	D	
1	0	0	0	0	0	0	0	0	DECK PLAY
2	1	0	0	0	0	0	0	0	REW
3	0	1	0	0	0	0	0	0	FF
4	1	1	0	0	0	0	0	0	STOP
5	0	0	1	0	0	0	0	0	REC PAUSE
6	1	0	1	0	0	0	0	0	REC MUTE
7	0	1	1	0	0	0	0	0	DECK A/B
8	1	1	1	0	0	0	0	0	DIR. A
9	0	0	0	1	0	0	0	0	CD PLAY
10	1	0	0	1	0	0	0	0	PAUSE/STOP
11	0	1	0	1	0	0	0	0	SKIP
12	1	1	0	1	0	0	0	0	SKIP
13	0	0	1	1	0	0	0	0	SEARCH
14	1	0	1	1	0	0	0	0	SEARCH
15	0	1	1	1	0	0	0	0	PHONO PLAY/CUT
16	1	1	1	1	0	0	0	0	AMP VCR 1
17	0	0	0	0	1	0	0	0	TUNER PRESET UP
18	1	0	0	0	1	0	0	0	PRESET DOWN
19	0	1	0	0	1	0	0	0	PI-8/P9-16
20	1	1	0	0	1	0	0	0	AMP VCR 2
21	0	0	1	0	1	0	0	0	PHONO
22	1	0	1	0	1	0	0	0	CD
23	0	1	1	0	1	0	0	0	TUNER
24	1	1	1	0	1	0	0	0	LD
25	0	0	0	1	1	0	0	0	TAPE 1
26	1	0	0	1	1	0	0	0	TAPE 2
27	0	1	0	1	1	0	0	0	VOL. UP
28	1	1	0	1	1	0	0	0	DOWN
29	0	0	1	1	1	0	0	0	AMP MUTING -20dB
32	1	1	1	1	1	0	0	0	POWER ON/OFF
33	0	0	0	0	0	0	1	0	DECK DIR. B
48	1	1	1	1	0	0	1	0	CD DISC No. UP
49	0	0	0	0	1	0	1	0	DISC No. DOWN
56	1	1	1	0	1	0	1	0	SLEEP
59	0	1	0	1	1	0	1	0	EQ ON/FLAT
60	1	1	0	1	1	0	1	0	PRESET UP
61	0	0	1	1	1	0	1	0	PRESET DOWN

CUSTOM CODE C0 C1 C2 C3 C4 C5 C6 C7
0 1 0 1 1 1 1 0

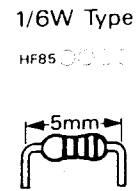
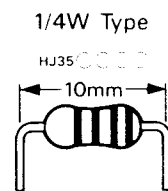
PARTS LIST

Ref. No.	Part No.	Description	部品名	Remarks/Markets	Common Model	ランク
※	VG 94 17 00	Remote Control Transmitter	リモコントランスミッター	U,C,A,B,P		
※	VG 80 84 00	//	//	G		
I	CX 60 72 00	Lid	電池 ケース		K-PH-562-01	
		Dry Cell	AAA,R03	単 4 乾 電池	G	
		//	AA, R6P	単 3 乾 電池	U,C,A,B,P	

※New Parts (新規部品)

Parts List for Carbon Resistor

Value	1/4W Type Part No.	1/6W Type Part No.	Value	1/4W Type Part No.	1/6W Type Part No.
1.0 Ω	HJ353100	HF853100	12K Ω	HJ357120	HF857120
1.8 "	HJ353180	※	15 "	HJ357150	HF857150
2.2 "	HJ353220	HF853220	18 "	HJ357180	HF857180
3.3 "	HJ353330	HF853330	22 "	HJ357220	HF857220
4.7 "	HJ353470	HF853470	27 "	HJ357270	HF857270
5.6 "	HJ353560	HF853560	33 "	HJ357330	HF857330
10 "	HJ354100	HF854100	39 "	HJ357390	HF857390
15 "	HJ354150	HF854150	47 "	HJ357470	HF857470
22 "	HJ354220	HF854220	56 "	HJ357560	HF857560
27 "	HJ354270	HF854270	68 "	HJ357680	HF857680
33 "	HJ354330	HF854330	82 "	HJ357820	HF857820
39 "	HJ354390	HF854390	91 "	HJ357910	HF857910
47 "	HJ354470	HF854470	100 "	HJ358100	HF858100
56 "	HJ354560	HF854560	120 "	HJ358120	HF858120
68 "	HJ354680	HF854680	150 "	HJ358150	HF858150
82 "	HJ354820	HF854820	180 "	HJ358180	HF858180
100 "	HJ355100	HF855100	220 "	HJ358220	HF858220
110 "	HJ355110	HF855110	270 "	HJ358270	HF858270
120 "	HJ355120	HF855120	330 "	HJ358330	HF858330
150 "	HJ355150	HF855150	390 "	HJ358390	HF858390
160 "	HJ355160	※	470 "	HJ358470	HF858470
180 "	HJ355180	HF855180	560 "	HJ358560	HF858560
220 "	HJ355220	HF855220	680 "	HJ358680	HF858680
270 "	HJ355270	HF855270	820 "	HJ358820	HF858820
330 "	HJ355330	HF855330	1.0M Ω	HJ359100	HF859100
390 "	HJ355390	HF855390	1.2 "	HJ359120	※
470 "	HJ355470	HF855470	1.5 "	HJ359150	HF859150
510 "	※	HF855510	1.8 "	HJ359180	HF859180
560 "	HJ355560	HF855560	2.2 "	HJ359220	HF859220
680 "	HJ355680	HF855680	3.3 "	HJ359330	HF859330
820 "	HJ355820	HF855820	3.9 "	HJ359390	※
910 "	HJ355910	HF855910	4.7 "	HJ359470	HF859470
1.0K Ω	HJ356100	HF856100			
1.2 "	HJ356120	HF856120			
1.5 "	HJ356150	HF856150			
1.8 "	HJ356180	HF856180			
2.0 "	HJ356200	HF856200			
2.2 "	HJ356220	HF856220			
2.4 "	HJ356240	HF856240			
2.7 "	HJ356270	HF856270			
3.0 "	HJ356300	HF856300			
3.3 "	HJ356330	HF856330			
3.6 "	HJ356360	HF856360			
3.9 "	HJ356390	HF856390			
4.7 "	HJ356470	HF856470			
5.1 "	HJ356510	HF856510			
5.6 "	HJ356560	HF856560			
6.8 "	HJ356680	HF856680			
8.2 "	HJ356820	HF856820			
9.1 "	HJ356910	HF856910			
10 "	HJ357100	HF857100			



RX-930